



IT ALL BEGAN WITH A BRILLIANT IDEA

The path to success – the story of a family

70 years ago, the young stove builder Walter Rüegg, founder of the leading Swiss manufacturer of fireplace inserts, Rüegg Cheminée Schweiz AG, was cycling along the dusty streets of the little village of Zumikon. His mission: to magic a crackling fire into the living rooms of his customers. This alone wasn't enough for the busy craftsman, however; he was constantly concerned with the question of how to achieve a higher heating value. He persistently searched for ways of blocking the exit of the hot air and minimising the inflow of cold air from outside.

In 1959, the passionate inventor came up with the first fireplace whose combustion chamber could be closed with a glass door. Once enclosed, the fireplace was now not only beautiful to look at but also an efficient source of heat with a high degree of efficiency. Walter Rüegg initially experienced what many other pioneers suffer, earning more scorn and derision than enthusiasm for his idea which he immediately patented. Rüegg refused to be discouraged, however, and continued to develop his product. In the 1970s came the long-awaited breakthrough when the oil crisis brought wood firing systems back into focus. Walter Rüegg's invention was suddenly a sensation worldwide, setting the basic standards for the efficient, low-emission heating of our modern living areas. The patents have long since expired and Rüegg has become arguably the most copied model, something we are now

even a little proud of. Rüegg has set itself the goal of consistently maintaining this standard because if you're being copied, you must be doing something right!

For over 65 years, we at Rüegg have been working with creativity and passion to perfect the flame effect for the living room.

Esteem has always been and still is at the centre of the further development of our products. For you as a private customer or fireplace installer, for wood as a valuable, sustainable and climate-neutral energy source, and for our environment, which has been given to us as a one-time gift.

Today, Rüegg employs 32 people at its headquarters in Hinwil. Rüegg values design, quality and the use of high-quality materials in its products, which are sold exclusively through Rüegg partners worldwide.



CONTENTS

Interesting facts about our company, wood, fire and flame

The secret of our success – the story of a family	3
What makes Rüegg so successful?	6
Thermobrikk®	7
How we calculate the minimum installation dimensions	8
Why you will choose a Rüegg fireplace?	9
Energy recovery systems	10-13
CloudFire + SafeFire	14, 15
Products · Technical Specifications	16-99
Supporting frames · Cover frames · Flush-mount frames	100, 101
Overview Devices and Accessories	102, 103

1-sided from page 16

Violino 45x60	18, 20
Violino 45x80	20
Violino 55x73	21
Violino 55x98	21
Violino 65x87	22
Violino 65x116	22

2-sided* from page 24

RII 50 x 68 x 42	26, 28
RII 50 x 68 x 50	28
RII 50 x 80 x 42	29
RII 50 x 80 x 50	29
RII 50 x 100 x 42	30
RII 50 x 100 x 50	30
KII 50 x 68 x 42	34, 35
KII 50 x 68 x 50	35
KII 50 x 80 x 42	36
KII 50 x 80 x 50	36
ECO Venus	38-41
ECO 720	42, 43



Violino 65x116, Rüegg Cheminée Schweiz AG

* All models are available with pane aperture on the right or left side

3-sided from page 44

RIII 45 x 56 x 46	46, 48
RIII 55 x 56 x 46	48
RIII 45 x 56 x 60	49
RIII 55 x 56 x 60	49
RIII 45 x 56 x 80	50
RIII 55 x 56 x 80	52
RIII 45 x 68 x 46	51
RIII 55 x 68 x 46	51
RIII 45 x 80 x 46	52
RIII 55 x 80 x 46	52
RIII 45 x 100 x 46	53
RIII 55 x 100 x 46	53

3-sided asymmetrical**

RAS 50 x 68 x 42	58-59
RAS 50 x 80 x 42	59

** All models are with a long pane available on the right or left side!

4-sided from page 60

Cubeo®	60-67
--------	-------

Round from page 68

Odeon	68, 71
-------	--------

Tunnel* from page 72

Violino Tunnel 55 x 73	74, 75
Violino Tunnel 55 x 98	75
Violino Tunnel 45 x 80	76

* new with catalytic converter



Violino Tunnel 55x73, Studio Rüeegg Orvault

Room heaters from page 78

Celtis (3-sided)	80, 82
Tilia (3-sided)	81, 82

Heat-Line SOE

SOE Front	86, 88
SOE Corner	88
SOE Tunnel	89

Heat-Line KE

KE 36x74	90
----------	----

Kitchen Grill

CookCook	92-95
----------	-------

Outdoor fireplace

Surprise	96-99
----------	-------



RAS 50x68x42, Rüeegg Cheminée Schweiz AG



CookCook, Rüeegg Studio Sarnen



RII 50x80x50, Rüeegg Studio Emskirchen



RIII 45x100x46, Rüeegg Studio Kremsmünster

WHAT MAKES RÜEGG SO SUCCESSFUL?

There are three things: Creativity, esteem and passion

Creativity

We enjoy daring to do new things.

First, there's creativity. That's the desire always to look at things in a different way, search for the new, unknown and unique. For example, Rüegg invented a glass-enclosed combustion chamber, laying the foundations for efficient and low-emission fire-based heating of living spaces. It is from thousands of smaller and bigger flashes of genius that a living space heating concept with Rüegg's unique characteristics has grown.

Our guiding principle is esteem

A second common thread running through all of our activities is esteem. First and foremost, high esteem for our customers, employees and business partners, without whom we simply could not exist. But also respect for our natural resources and careful management of the tools for life provided to us by earth. Sometimes it's not just the big things but also the really little things that shape our progress and allow us to promote our products with complete confidence.

Passion

We love what we do!

The third and equally important key word is passion. The motivation to create products that our customers will be delighted with year in year out, thanks to their quality, durability, user friendliness and reliability. Passion is also the desire to always have your finger on the pulse. We love being able to surprise the market with new ideas and clever inventions time and time again.

Esteem, creativity, and passion

This is the foundation for the success of Rüegg. It's what the whole team believe in and are committed to. Rüegg is proud to have been the most copied manufacturer of living room fireplaces of all times. There is no better proof of our permanent lead. And there are a number of reasons for this – which are not always obvious at first glance.

THERMOBRIKK®

The unique black combustion chamber from Rüegg

Rüegg is proud to be the first and only manufacturer in the world to equip fireplaces with the unique THERMOBRIKK®.

Rüegg customers benefit once again from an innovative product in a class and quality that is second to none. THERMOBRIKK® is the first black combustion chamber that delivers what it promises. It is dark throughout, on the inside too, and not just on the outside, and its timeless elegance is perfectly in keeping with modern aesthetic requirements.

THERMOBRIKK® also has amazing physical characteristics that provide durability, stability and positive benefits for the combustion process. An outstanding combination of radiation and storage properties boosts efficiency and lowers emissions in devices using THERMOBRIKK®.

With THERMOBRIKK®, Rüegg's compliance with future limit values for fire safety and environmental directives has become easier. Fireplaces equipped with THERMOBRIKK® set new standards in cleanliness and efficiency.



HOW DO WE MEASURE THE MINIMUM INSTALLATION DIMENSIONS?

We provide you with the minimum installation dimensions for each RÜEGG device to enable initial draft planning and simplify the selection of your preferred device.

This minimum system dimension specifies the minimum space requirements that your room must provide for the new fireplace system.

Does your room offer more space than the minimum installation dimensions we have specified? No problem, your fireplace installer will be happy to advise you about additional utilisation of the space with a front bench, wooden niches or other practical design elements.

Please note that the minimum installation dimensions (and the indicated height in particular) do not take into account the usual front bench height of 45-48 cm.

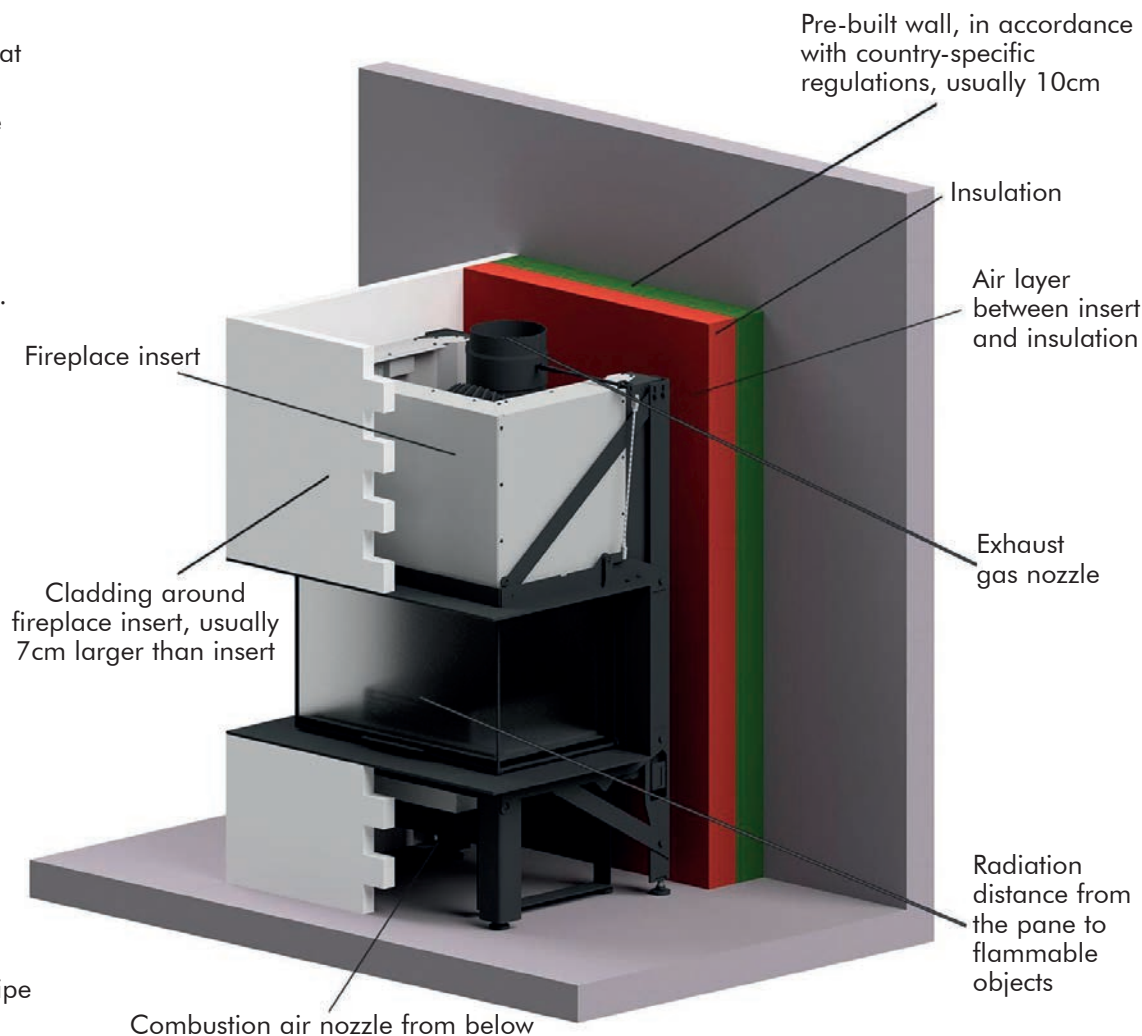
What have we taken into account when specifying the minimum installation dimensions?

The following components are part of our calculations:

- The space required for your Rüegg fireplace insert
- Minimum permissible wall cladding, insulation and air gap for circulation of warm air
- Supporting frame with or without integrated chimney damper control (7cm projection on all sides with fitted glass pane)
- Cladding on the Rüegg fireplace insert
- Smoke outlet with chimney damper control to control the fire

We did not take into account:

- The use of other accessories, such as a free-standing flush-mount frame and supporting stand with adjustable feet, as shown in the example picture (this results in a standard installation height of the fireplace of 45-48 cm and, therefore, an increased installation height)
- Add-on elements such as wooden niches, front benches etc.
- Conversion socket for connecting to other cross-sections of fresh air or flue pipe
- Additional floor insulation to be added to the overall system height



What all our fireplaces have in common...

- Discrete, elegant design: lets you create the highlights where you desire – not intrusive in the room design
 - An almost invisible pane surround gives the best visibility on the fire
 - Filigree and elegant pane edge seal with spring steel seal
 - All moving parts can be replaced with the unit in place: if a part needs to be replaced despite the high quality of workmanship, this can be done without damaging the cladding. Saves energy, time, money and avoids dust.
 - User-friendliness and functionality:
 - Extremely smooth-running panes that stay clean for a long period and are easy to clean
 - Simple to operate
 - Durability and reliability in proven Swiss quality
 - Attractive flame pattern due to a clever combustion chamber design and precise combustion air supply
 - Can be adapted to almost any architectural configuration because of the large number of adjustment possibilities
 - Meets the relevant European energy and environmental regulations
 - Efficient auxiliary heating independent from electricity, gas or oil
-

HEAT UTILISATION SYSTEMS

With its wide range of products, Rüegg provides the right product for all applications, which are introduced below

Energy requirements in residential buildings (single-family houses)

In today's world, a newly built single-family house requires a maximum of only 5-7 kW of heat. A low-energy house can even manage with a heat requirement of 0-4 kW. This means that a living room still requires a maximum of 1-2 kW of energy (on the coldest days). A small wood-burning unit (fireplace, stove) in the living room can release a large amount of heat into the room when in use. Depending on the size and installation of the fireplace, this is usually between 2.5-12 kW.

According to market surveys, the fire experience is crucial for the majority of our customers. Customers want to see as much fire as possible in their fireplace.

This results in the following challenges when choosing the right fireplace:

- 1 kg beech wood has an energy capacity of approx. 4.0 kW/kg
- With an average combustion efficiency of 80%, this results in a net energy content of 3.2 kW/kg wood.
- One log of 25 to 33 cm length has an average weight of approx. 1.2 kg, which gives a net energy content of 3.9 kW per log.
- According to these specifications, a living space needs a maximum of 2 kW of energy supply. Therefore, half a log per hour would be sufficient to generate the required amount of energy.
- A fire with half a log per hour would not be a beautiful fire to watch nor would it bring any joy to our customers.

CONCLUSION:

The surplus heat must be used in a controlled manner.



R11 50x100x50, Rüegg Studio Emskirchen

Storage systems: Tiled stove

The heart of a tiled stove is the combustion chamber, which is built with refractory clay or a standard tiled stove insert. Whatever type is used, the tiled stove is closed with a standardised stove door. This heating principle is designed for heating large storage masses. The stored energy is released into the room in the form of healthy radiant heat from the surface for 10-20 hours. The storage mass is heated using ceramic components (exhaust gas flues), as are any benches that may be installed.

Advantages	Disadvantages
Long-lasting storage heat	Slow heat emission
Healthy radiant heat	Limited fire visibility
Pleasantly warm surfaces	Time-consuming installation
Frequently used for heating multiple rooms	Expensive installation
Individual design	
Traditional craftsmanship	

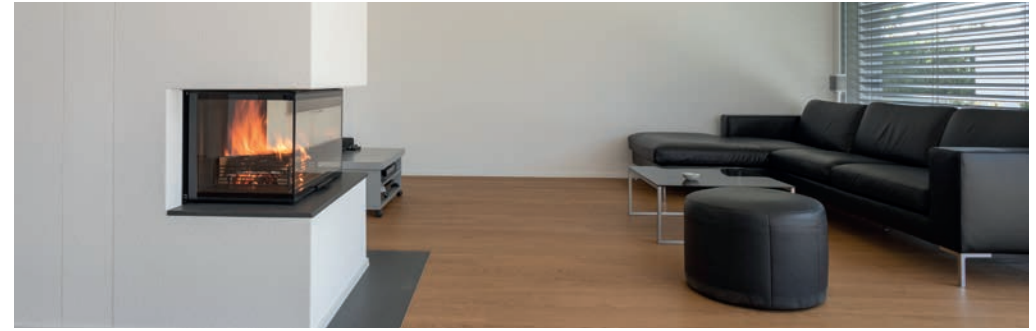


SOE, Rüegg Studio Freudenberg

Heat storage stove:

The heat storage stove is equipped with a heat storage stove fireplace. The shape of the pane can be adapted to the design of the heat storage stove. Rüegg supplies a range of variants for this purpose, such as flat, double-sided and tunnel inserts. This heating principle, like the tiled stove, is designed for heating large storage masses. The stored energy is released into the room in the form of healthy radiant heat from the surface and the glass panes for 10-20 hours. The storage mass is heated using ceramic components (exhaust gas flues), as are any benches that may be installed.

Advantages	Disadvantages
Long-lasting storage heat	Slow heat emission
Healthy radiant heat	Time-consuming installation
Pleasantly warm surfaces	Expensive installation
Frequently used for heating multiple rooms	
Individual design	
Greater fire visibility than with a tiled	
Traditional craftsmanship	

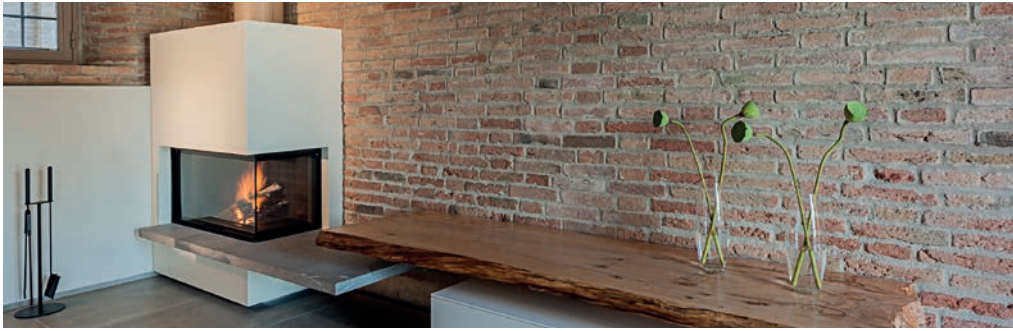


RIII, Rüegg Studio Beromünster

Heat storage fireplace:

The fireplace insert is completely enclosed by storage plates that can store large amounts of energy. Heat is emitted by heat radiation through the pane and the cladding surface. A heat storage fireplace is constructed with active back ventilation, which only causes minimal air convection. This means that there are no limits to the system design and there is no need for hot air grills.

Advantages	Disadvantages
Healthy radiant heat without dust	Slow heat emission
Pleasantly warm surfaces	
Mainly used for one room supplementary heating	
Heat emission over a longer period of time	
Individual design	
Modern system designs	
Small installation area required	
Large view on the fire	



RII 50x100x42, Studio Rüegg Parma

Warm air system – convection air fireplace:

The fireplace insert is installed without a storage system. Inside the cladding, the air circulates around the insert and leaves into the room as heated air. Air circulation typically results from thermal uplift and can be additionally accelerated by a controlled fan in the system. This heats the air in the room more quickly, but for a shorter period of time than with storage systems.

Advantages	Disadvantages
The room can be heated up quickly	Dust swirl due to air circulation
Pleasantly warm surfaces	Short-term overheating of the room may occur
Suitable as a single-room or multi-room supplementary heater	No long-lasting heat
Individual design	Visible air grille
Modern system designs	
Small installation area required	
Large view on the fire	



Stove:

A stove can be placed in the room like a piece of furniture without any significant extra work. The heat utilisation and fire visibility are limited as a result. The stove has limited storage possibilities and is only intended for use as single-room auxiliary heating. However, Rüegg offers various prefabricated fireplaces that provide an extensive view on the fire.

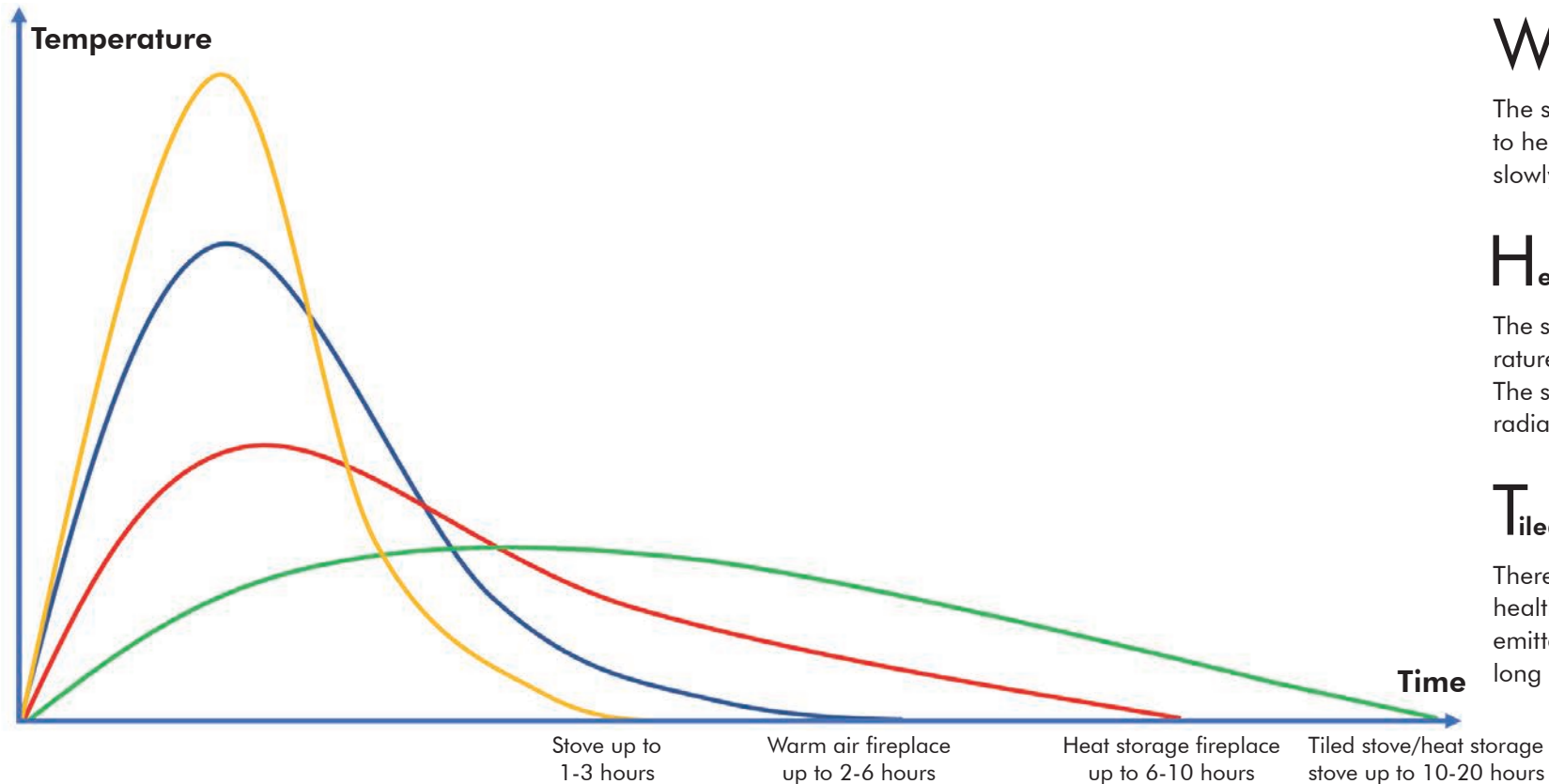
Advantages	Disadvantages
The room can be heated up quickly	Dust swirl due to air circulation
Simple construction	Short-term overheating of the room may occur
Various designs	No long-lasting heat
Little floor space required	Only suitable as single-room auxiliary heating system
Large view on the fire (with Rüegg prefabricated fireplaces only)	Low fire visibility with classic stoves
Lower investment costs	



C

omparison of heating systems:

The following curves show the characteristics of the different systems to help you make the right choice for your home heating system.



S

tove:

Due to its low mass, it heats up very quickly and releases heat into the room equally quickly.

W

arm air fireplace:

The system typically takes a little longer to heat the room and flattens out more slowly compared to the stove.

H

eat storage fireplace:

The storage system reduces high temperature peaks which prevents overheating. The storage mass ensures that healthy radiant heat is retained for many hours.

T

iled stove /heat storage stove:

There are no temperature peaks and healthy radiant heat is continuously emitted to connected rooms over a very long period of time.



The common display for CloudFire and SaveFire – elegant, simple, and built into your system in an unobtrusive way.

RÜEGG SafeFire – Safety, without a compromise

RÜEGG SafeFire constantly checks the pressure in the flue pipe while your fireplace is being fired up, thus preventing harmful gases from entering your living space due to ventilation systems or extractor hoods being switched on.

If the pressure in your living space drops during firing up due to a running extractor hood when compared to the chimney pressure, SafeFire automatically switches off these consumers until the pressure has returned to normal. In addition, SafeFire continuously checks its own sensor technology and informs you if a defect has been detected.

SafeFire is fully EN- and DiBT tested, thereby guaranteeing your safety.



TWO SYSTEMS FROM A SINGLE CAST ...

- leave your installation with the most discreet appearance possible
- offer you the greatest flexibility possible
- facilitate the simplest operation
- save you unnecessary costs thanks to shared components

RÜEGG CloudFire – The next generation of control

RÜEGG CloudFire ensures the optimum fresh air supply to your fireplace, and closes the fresh air flap again after firing up. During combustion, the fresh air flap is controlled so that this is always supported with the optimum supply of air. The wood thus burns almost completely and with the highest efficiency. This significantly reduces emissions and the glass window stays clean longer.

Thanks to the convenient RÜEGG APP and the optional display, you are always in control.

After firing up, the fresh air flap closes and retains the heat in your system. This prevents your storage mass from cooling down prematurely, and you can enjoy the heat for hours after the final flame has disappeared.

In addition to efficient control, CloudFire allows you to control a chimney fan or, for example, the extractor hood during firing up via the integrated switch contact.





1-sided

RÜEGG VIOLINO

Model	Min. system size* (H x W x D cm)	Page
Violino 45x60	120 x 113 x 78	18, 20
Violino 45x80 **	120 x 133 x 78	20
Violino 55x73 **	133 x 126 x 78	21
Violino 55x98 **	133 x 151 x 78	21
Violino 65x87 **	153 x 144 x 80	22
Violino 65x116 **	153 x 169 x 78	22

* Dimensions: Basic equipment incl. supporting frame with Silca 250 KM.
Insulation on combustible wall, without optional accessories

** Devices also available as "V-version": Supplied with closed housing for convection air and device base with integrated fan

VIOLINO

- Entire fireplace in Thermobrikk®: The black combustion chamber discreetly blends in with any surroundings
- The modular design of the Violino family offers the possibility of choosing the appropriate device even if the chimney is already installed
 - Standard connections
 - Uniform insulation
- Installation as a storage system
 - Ideal for use in well-insulated houses because of its delayed heat output
 - No visible air grilles necessary, no additional dust swirling
- Can also be installed flush with the floor (without supporting stand)
- Installation as a hot air system
 - Quickly heats the room
 - Heat distribution over several floors possible
- Removable or invertable tile stop, for effortless transition between the fireplace insert and fireside bench
- The front bench can be connected flush to the device, no unsightly metal frame
- Fresh air connection can be connected from the rear, bottom and side: offers the highest planning flexibility
- No operating levers to clutter up your interior design with an optional integrated chimney damper control

Rüegg VIOLINO

The VIOLINO fireplace offers maximum design freedom to fulfil your personal fireplace vision.

The flames crackle quietly as they conjure up a magnificent display of light in the room and a cosy warmth sets in. Fire fascinates and creates a relaxing atmosphere. With the Rüegg VIOLINO, fire becomes a real wellness experience: a simplicity that highlights the beauty of the fire, combined with design, quality, sophisticated technology and easy handling.

Unrestricted design freedom means that your fireplace installer can create your fireplace vision exactly the way you desire.

- The architecture of the Violino provides lots of freedom in the custom design of your fireplace
- Efficient auxiliary heating for independence from electricity, gas or oil
- Can also be installed as a traditional fireplace (almost flush with the floor)

-
- ✓ **Standard exhaust gas nozzle Ø 200 mm**
 - ✓ **Standard combustion air nozzle Ø 150 mm**
 - ✓ **Exhaust connection can be on top or at the rear**



Violino 55x98, Rüegg Studio Erbshausen



Violino 65x87, Rüegg Studio Padova Vicenza



VIOLINO 45x60 / VIOLINO 45x80

1-SIDED

	VIOLINO 45x60	VIOLINO 45x80
--	---------------	---------------

Dimensions:

	cm	120x113x78	120x133x78
Minimum system size H x W x D*	cm	120x113x78	120x133x78
Ceramic glass dimensions H x W	cm	42x58	42x78
Device dimensions H x W x D	cm	112x77x53	112x97x53
Gross weight	kg	204	243

Technical data:

Nominal power according EN	kW	8.5	10.2
Capacity range	kW	8.5	10.2
Plant heat output for heat storage fireplaces	kW	2.8	3.4
Combustion air nozzle	Ø cm	15	15
Exhaust gas nozzle	Ø cm	20	20
Exhaust possible		on top / rear	on top / rear

Tests:

EU	EN 16510	RRF-1022 25 1908	RRF-1022 25 1510
Germany	BImSchV	Stufe 1 + 2	Stufe 1 + 2
Austria	Verordnung 15-A	yes	yes
France	Flamme Verte	*****	*****
Energy label		A	A

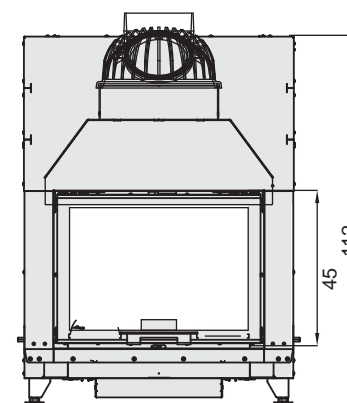
Configuration:

Combustion chamber walls	Thermobrikk®	Thermobrikk®
Combustion chamber bottom	Thermobrikk®	Thermobrikk®
Integrated fan (optional)	no	yes
Connection to extra heat exchanger	no	no
Combustion air separate from ambient	yes	yes
Optional: chimney damper control	no	yes

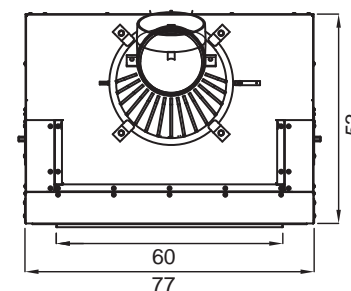
VIOLINO 45x60



Front view

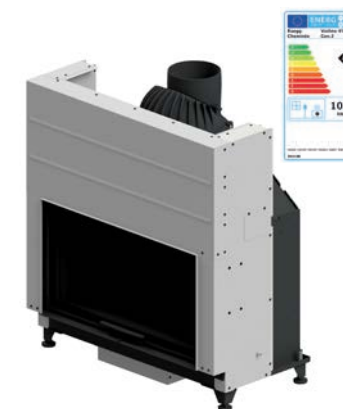


Ground plan

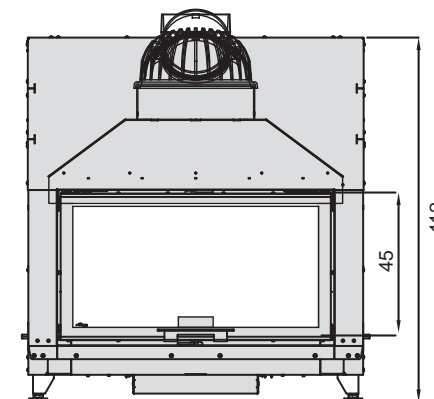


(Exhaust at the rear possible)

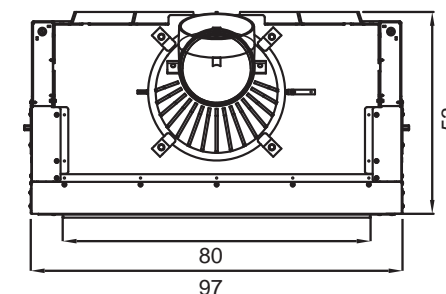
VIOLINO 45x80



Front view



Ground plan



(Exhaust at the rear possible)

* Dimensions: Basic equipment incl. supporting frame with Silca 250 KM Insulation on combustible wall, without optional accessories

VIOLINO 55x73 / VIOLINO 55x98

	VIOLINO 55x73	VIOLINO 55x98
--	---------------	---------------

Dimensions:

	cm	VIOLINO 55x73	VIOLINO 55x98
Minimum system size H x W x D*	cm	133x126x78	133x151x78
Ceramic glass dimensions H x W	cm	52x71	52x96
Device dimensions H x W x D	cm	125x90x53	125x115x53
Gross weight	kg	270	318

Technical data:

	kW	VIOLINO 55x73	VIOLINO 55x98
Nominal power according EN	kW	10.2	11.8
Capacity range	kW	10.2	11.8
Plant heat output for heat storage fireplaces	kW	3.4	3.9
Combustion air nozzle	Ø cm	15	15
Exhaust gas nozzle	Ø cm	20	20
Exhaust possible		on top / rear	on top / rear

Tests:

EU	EN 16510	RRF-1022 25 1511	RRF-1022 25 1512
Germany	BlmSchV	Stufe 1 + 2	Stufe 1 + 2
Austria	Verordnung 15-A	yes	yes
France	Flamme Verte	*****	*****
Energy label		A	A

Configuration:

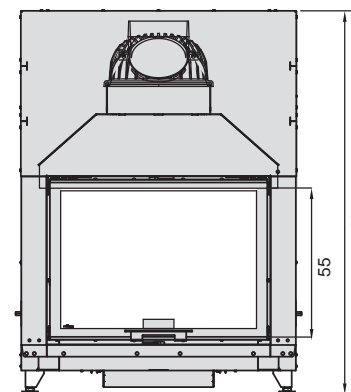
	VIOLINO 55x73	VIOLINO 55x98
Combustion chamber walls	Thermobrikk®	Thermobrikk®
Combustion chamber bottom	Thermobrikk®	Thermobrikk®
Integrated fan (optional)	yes	yes
Connection to extra heat exchanger	no	no
Combustion air separate from ambient	yes	yes
Optional: chimney damper control	yes	yes

* Dimensions: Basic equipment incl. supporting frame with Silca 250 KM Insulation on combustible wall, without optional accessories

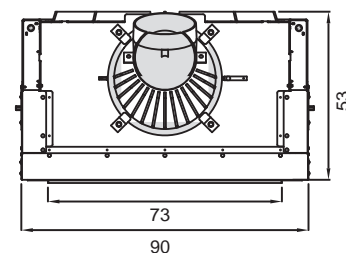
VIOLINO 55x73



Front view

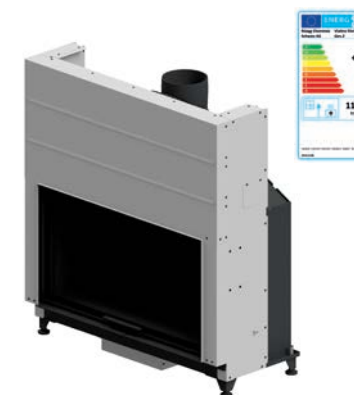


Ground plan

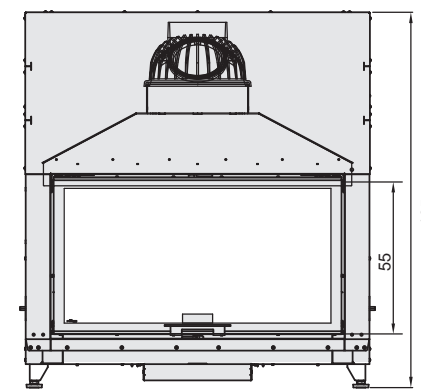


(Exhaust at the rear possible)

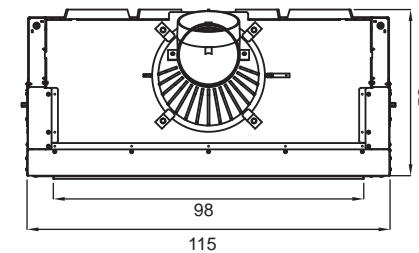
VIOLINO 55x98



Front view



Ground plan



(Exhaust at the rear possible)

1-SIDED

VIOLINO 65x87 / VIOLINO 65x116

1-SIDED

	VIOLINO 65x87	VIOLINO 65x116
--	---------------	----------------

Dimensions:

	cm	VIOLINO 65x87	VIOLINO 65x116
Minimum system size H x W x D*	cm	153x144x80	153x169x78
Ceramic glass dimensions H x W	cm	62x85	62x114
Device dimensions H x W x D	cm	145x104x53	145x133x53
Gross weight	kg	328	370

Technical data:

Nominal power according EN	kW		13.3
Capacity range	kW		13.3 – 14.6
Plant heat output for heat storage fireplaces	kW		4.5
Combustion air nozzle	Ø cm	15	15
Exhaust gas nozzle	Ø cm	20	20
Exhaust possible		on top / rear	on top / rear

Tests:

EU	EN 16510		RRF-1022 24 1132
Germany	BlmSchV	Stufe 1 + 2	Stufe 1 + 2
Austria	Verordnung 15-A	yes	yes
France	Flamme Verte	*****	*****
Energy label		A	A

Configuration:

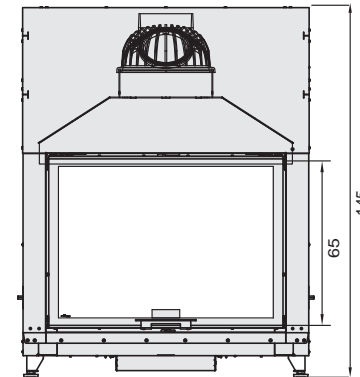
Combustion chamber walls	Thermobrikk®	Thermobrikk®
Combustion chamber bottom	Thermobrikk®	Steel
Integrated fan (optional)	yes	yes
Connection to extra heat exchanger	no	no
Combustion air separate from ambient	yes	yes
Optional: chimney damper control	yes	yes

* Dimensions: Basic equipment incl. supporting frame with Silca 250 KM Insulation on combustible wall, without optional accessories

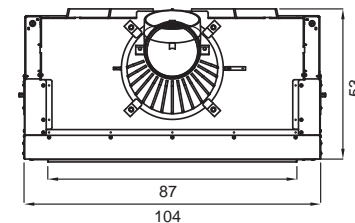
VIOLINO 65x87



Front view



Ground plan

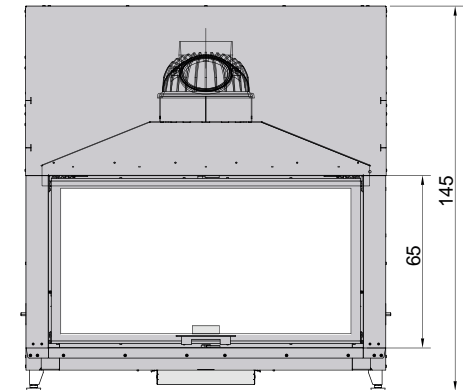


(Exhaust at the rear possible)

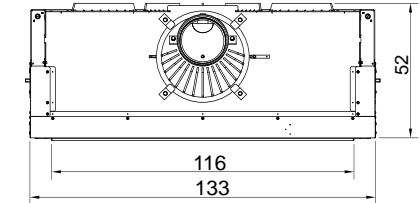
VIOLINO 65x116



Front view



Ground plan



(Exhaust at the rear possible)



1-SIDED

Violino 55x73, Studio Rüegg La Chaize Le Vicomte

“AMBIENT, HEALTHY
HEAT RADIATION
AND HEATING COSTS
SAVINGS.”

Hillnhütter family,
Freudenberg (Germany)



2-sided

RII · KII · ECO VENUS · ECO 720

Model	Min. system size* (H x W x D cm)	Page
RII 50 x 68 x 42 R/L	137 x 97 x 72	26, 28
RII 50 x 68 x 50 R/L	137 x 97 x 80	28
RII 50 x 80 x 42 R/L **	137 x 109 x 72	29
RII 50 x 80 x 50 R/L **	137 x 109 x 80	29
RII 50 x 100 x 42 R/L **	137 x 129 x 72	30
RII 50 x 100 x 50 R/L **	137 x 129 x 80	30
KII 50 x 68 x 42 R/L	143 x 81 x 60	34-35
KII 50 x 68 x 50 R/L	143 x 81 x 68	35
KII 50 x 80 x 42 R/L	143 x 93 x 60	36
KII 50 x 80 x 50 R/L	143 x 93 x 68	36
ECO Venus 510 R/L	141 x 93 x 74	38-41
ECO 720 R/L	158 x 107 x 84	42, 43

NEW

NEW

* Dimensions: Basic equipment incl. supporting frame with Silca 250 KM. Insulation on combustible wall, without optional accessories

** Devices also available as "V-version": Supplied with closed housing for convection air and device base with integrated fan

RII

- Entire fireplace in Thermobrikk® and steel: The black combustion chamber discreetly blends in with any surroundings
- The modular design of the RII family offers the possibility of choosing the appropriate device even if the chimney is already installed
 - Standard connections
 - Uniform insulation
- Installation as a storage system
 - Ideal for use in well-insulated houses because of its delayed heat output
 - No visible air grilles necessary, no additional dust swirling
- Installation as a hot air system
 - Quickly heats the room
 - Heat distribution over several floors possible
- Can also be installed flush with the floor (without supporting stand)
- Removable or invertible tile stop, for effortless transition between the fireplace insert and fireside bench
- The front bench can be connected flush to the device, no unsightly metal frame
- Fresh air connection can be connected from the rear, bottom and side: offers the highest planning flexibility
- No operating levers to clutter up your interior design with an optional integrated chimney damper control

KII

- Entire fireplace in Thermobrikk® and steel: The black combustion chamber discreetly blends in with any surroundings
- The new K series from Rüegg is equipped with an extremely elegant version of a hinged door

ECO VENUS, Rüegg ECO 720

- Entire fireplace in Thermobrikk®: The black combustion chamber fits in with any surroundings
- The low installation depth means that the system requires just the minimum space

Rüegg RII

Our new products have been setting standards for decades. These qualities are also combined in the two-sided Rüegg RII...

... which brings campfire romanticism inside your four walls with its wonderful flame pattern and surprises you with technically refined details. Whether it's one, two or three-sided, the Rüegg RII offers state-of-the-art technology and an extensive range of products in most filigree design.

- The architecture of the RII provides lots of freedom in the custom design of your fireplace
- Efficient auxiliary heating independent from electricity, gas or oil
- The RII, which is integrated in a storage system, provides cosy radiant heat for several hours, making it your personal sun in your living room.
- Long Life Conception: Nowadays, Rüegg develops fireplaces that are designed to last for decades.
- Swiss quality: As Swiss quality seal holder, Rüegg fireplaces are synonymous with outstanding manufacturing quality.
- Refined aesthetics: Rüegg fireplaces impress with their incomparable puristic design. The uncompromising integration of all mechanical elements and the cubic lines allow to create extremely clean and discrete designs.
- Combustion chamber with Thermobrikk®: The main function of the combustion chamber of a fireplace is to keep the high temperature inside the chamber. This is the only way to achieve higher efficiency and truly efficient and clean combustion.

**The Rüegg RII, installed by a Rüegg partner near to you:
It is impossible to have more fire pleasure!**

-
- ✓ **Standard exhaust gas nozzle Ø 200 mm**
 - ✓ **Standard combustion air nozzle Ø 150 mm**
 - ✓ **Exhaust connection can be on top or at the rear**





2-SIDED

R11 50x100x50, Rüegg Studio Emskirchen

RII 50x68x42 right + left / RII 50x68x50 right + left

	RII 50x68x42 R/L	RII 50x68x50 R/L
--	------------------	------------------

Dimensions:

	cm	RII 50x68x42 R/L	RII 50x68x50 R/L
Minimum system size H x W x D*	cm	137x97x72	137x97x80
Ceramic glass dimensions H x W x D	cm	46x62x37	46x62x45
Device dimensions H x W x D	cm	119x77x52	119x77x60
Gross weight	kg	215	234

Technical data:

	kW	RII 50x68x42 R/L	RII 50x68x50 R/L
Nominal power according EN	kW	11.5	11.5
Capacity range	kW	11.5-12.3	11.5-12.4
Plant heat output for heat storage fireplaces	kW	3.9	3.9
Combustion air nozzle	Ø cm	15	15
Exhaust gas nozzle	Ø cm	20	20
Exhaust possible		on top / rear	on top / rear

Tests:

EU	EN 16510	RRF-1022 24 1147	RRF-1022 24 1148
Germany	BImSchV	Stufe 1 + 2	Stufe 1 + 2
Austria	Verordnung 15-A	yes	yes
France	Flamme Verte	*****	*****
Energy label		A	A

Configuration:

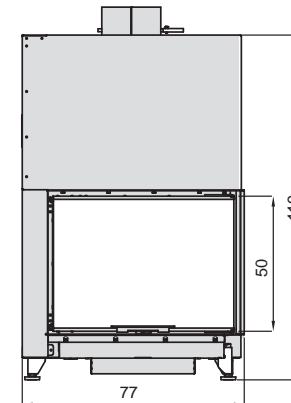
	Thermobrikk®	Thermobrikk®
Combustion chamber walls	Thermobrikk®	Thermobrikk®
Combustion chamber bottom	Steel	Steel
Integrated fan (optional)	no	no
Connection to extra heat exchanger	no	no
Combustion air separate from ambient	yes	yes
Optional: chimney damper control	yes	yes

* Dimensions: Basic equipment incl. supporting frame with Silca 250 KM Insulation on combustible wall, without optional accessories

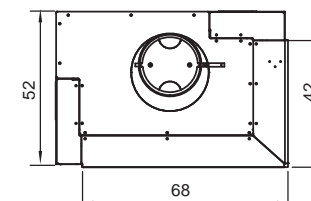
RII 50x68x42 R/L



Front view

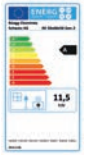


Ground plan

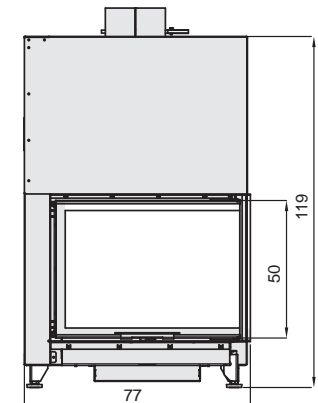


(Exhaust at the rear possible)

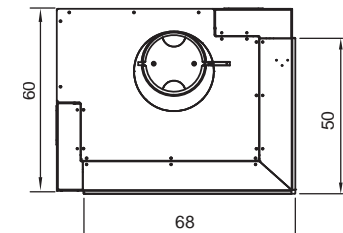
RII 50x68x50 R/L



Front view



Ground plan



(Exhaust at the rear possible)

RII 50x80x42 right + left / RII 50x80x50 right + left

		RII 50x80x42 R/L	RII 50x80x50 R/L
--	--	------------------	------------------

Dimensions:

Minimum system size H x W x D*	cm	137x109x72	137x109x80
Ceramic glass dimensions H x W x D	cm	46x74x37	46x74x45
Device dimensions H x W x D	cm	119x89x52	119x89x60
Gross weight	kg	238	258

Technical data:

Nominal power according EN	kW	11.7	11.5
Capacity range	kW	11.7-12.9	11.5-11.8
Plant heat output for heat storage fireplaces	kW	3.9	3.9
Combustion air nozzle	Ø cm	15	15
Exhaust gas nozzle	Ø cm	20	20
Exhaust possible		on top / rear	on top / rear

Tests:

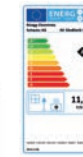
EU	EN 16510	RRF-1022 24 1149	RRF-1022 24 1150
Germany	BImSchV	Stufe 1 + 2	Stufe 1 + 2
Austria	Verordnung 15-A	yes	yes
France	Flamme Verte	*****	*****
Energy label		A	A

Configuration:

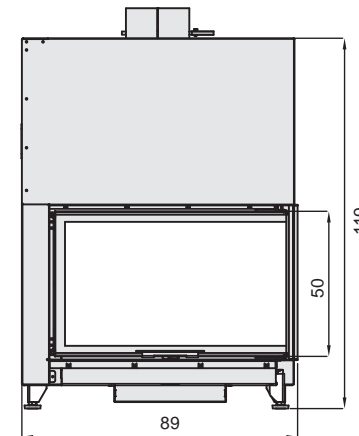
Combustion chamber walls	Thermobrikk®	Thermobrikk®
Combustion chamber bottom	Steel	Steel
Integrated fan (optional)	yes	yes
Connection to extra heat exchanger	no	no
Combustion air separate from ambient	yes	yes
Optional: chimney damper control	yes	yes

* Dimensions: Basic equipment incl. supporting frame with Silca 250 KM Insulation on combustible wall, without optional accessories

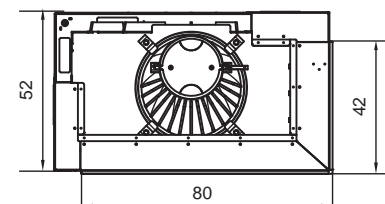
RII 50x80x42 R/L



Front view

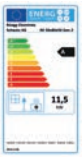


Ground plan

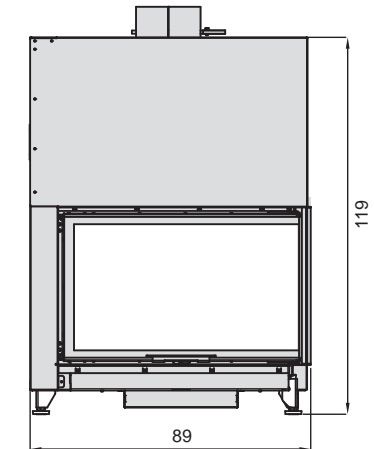


(Exhaust at the rear possible)

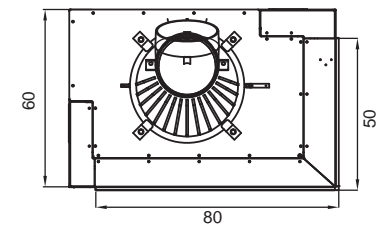
RII 50x80x50 R/L



Front view



Ground plan



(Exhaust at the rear possible)

RII 50x100x42 right + left / RII 50x100x50 right + left

RII 50x100x42 R/L RII 50x100x50 R/ L

Dimensions:

Minimum system size H x W x D*	cm	137x129x72	137x129x80
Ceramic glass dimensions H x W x D	cm	46x94x37	46x94x45
Device dimensions H x W x D	cm	119x109x52	119x109x60
Gross weight	kg	270	288

Technical data:

Nominal power according EN	kW	11.5	11.5
Capacity range	kW	11.5-12.6	11.5-12.5
Plant heat output for heat storage fireplaces	kW	3.9	3.9
Combustion air nozzle	Ø cm	15	15
Exhaust gas nozzle	Ø cm	20	20
Exhaust possible		on top / rear	on top / rear

Tests:

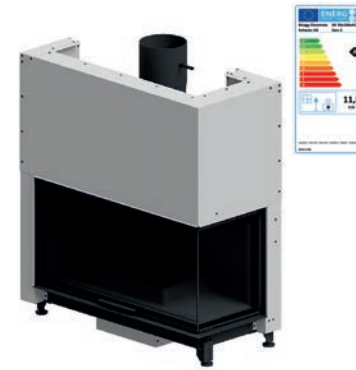
EU	EN 16510	RRF-1022 24 1151	RRF-1022 24 1152
Germany	BImSchV	Stufe 1 + 2	Stufe 1 + 2
Austria	Verordnung 15-A	yes	yes
France	Flamme Verte	*****	*****
Energy label		A	A

Configuration:

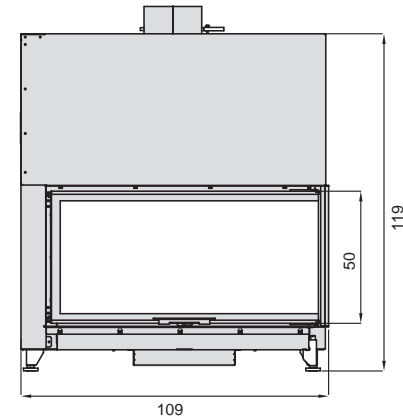
Combustion chamber walls	Thermobrikk®	Thermobrikk®
Combustion chamber bottom	Steel	Steel
Integrated fan (optional)	yes	yes
Connection to extra heat exchanger	no	no
Combustion air separate from ambient	yes	yes
Optional: chimney damper control	yes	yes

* Dimensions: Basic equipment incl. supporting frame with Silca 250 KM Insulation on combustible wall, without optional accessories

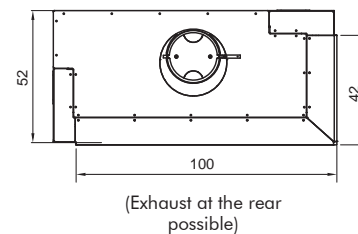
RII 50x100x42 R/L



Front view



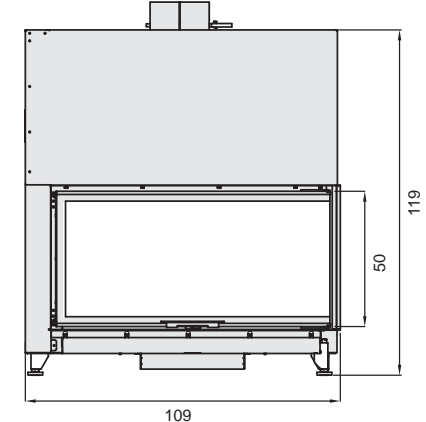
Ground plan



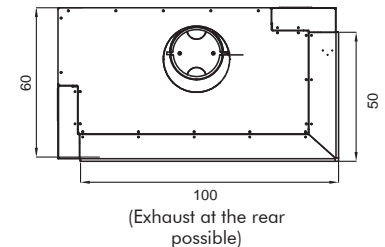
RII 50x100x50 R/L



Front view



Ground plan





2-SIDED



R11 50x100x42, Rüegg Studio Parma



R11 50x68x42, Rüegg Studio Appenzell

Rüegg KII

An authentic Rüegg with a sophisticated hinged door for the most modern flush installation – and suitable for every budget!

The new K series from Rüegg is equipped with an extremely elegant version of a hinged door, which enables the much sought-after and modern flush installation. This means that the fireplace insert does not require a built-in frame and can be installed flush from the front panel to the cladding. In addition, the corner connection between the two glass fronts is extremely sleek, allowing an unrestricted view of the fire.

The Rüegg hinged door solution for the KII is designed so that only the front pane is opened when the firebox is opened, which, in addition to the convenience and design, also makes it easier to add firewood. The door opens outwards to protect hands from the heat.

Another advantage of the hinged door solution of the Rüegg KII is that the handle has a return spring.

Thanks to the optional self-closing door, multiple flues can be connected.

- The firebox of the KII is identical to that of the other Rüegg fireplace inserts with sliding glass and maintains the same design and quality (black, Thermobrikk®).
- **Note:** An integrated chimney damper control is only possible with an optional built-in frame.

In conclusion, you can expect the usual Rüegg design with outstanding quality, offering the modern and highly sought-after flush installation option, suitable for every budget!

-
- ✓ Standard exhaust gas nozzle Ø 200 mm
 - ✓ Standard combustion air nozzle Ø 150 mm
 - ✓ Exhaust connection can be on top or at the rear



KII 50x68x42, Rüegg Cheminée Schweiz AG



KII 50x68x50, Rüegg Cheminée Schweiz AG

KII 50x68x42 right + left / KII 50x68x50 right + left

		KII 50x68x42 R/L	KII 50x68x50 R/L
Dimensions:			
Minimum system size H x W x D*	cm	143x81x60	143x81x68
Ceramic glass dimensions H x W x D	cm	46x62x37	46x62x45
Device dimensions H x W x D	cm	135x68x48	135x68x53
Gross weight	kg	160	174

Technical data:

Nominal power according EN	kW	11.5	11.5
Capacity range	kW	11.5-12.3	11.5-12.4
Plant heat output for heat storage fireplaces	kW	–	–
Combustion air nozzle	Ø cm	15	15
Exhaust gas nozzle	Ø cm	20	20
Exhaust possible		on top / rear	on top / rear

Tests:

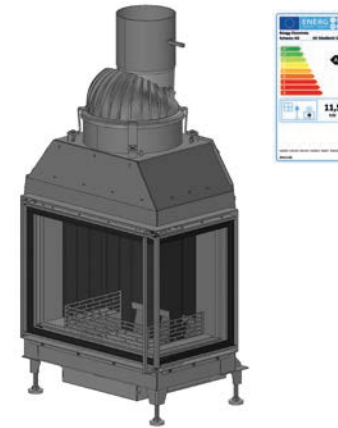
EU	EN 16510	RRF-1022 25 2031	RRF-1022 25 2032
Germany	BImSchV	Stufe 1 + 2	Stufe 1 + 2
Austria	Verordnung 15-A	yes	yes
France	Flamme Verte	*****	*****
Energy label		A	A

Configuration:

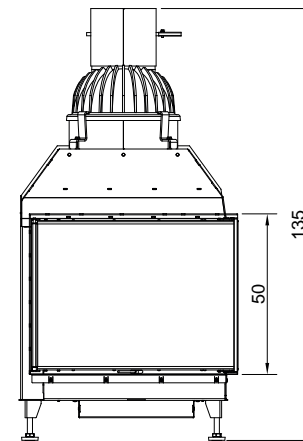
Combustion chamber walls	Thermobrikk®	Thermobrikk®
Combustion chamber bottom	Steel	Steel
Integrated fan (optional)	no	no
Connection to extra heat exchanger	no	no
Combustion air separate from ambient	yes	yes
Optional: chimney damper control	yes	yes

* Dimensions: Basic equipment incl. supporting frame with Silca 250 KM Insulation on combustible wall, without optional accessories

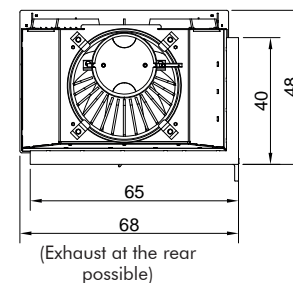
KII 50x68x42 R/L



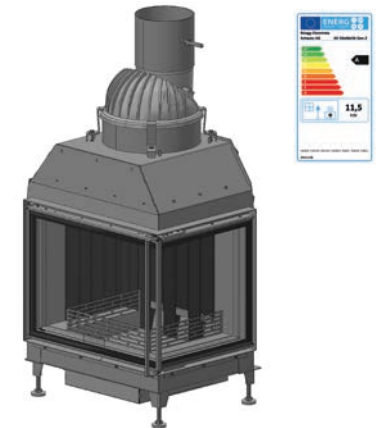
Front view



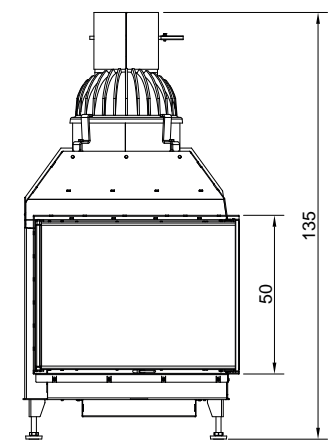
Ground plan



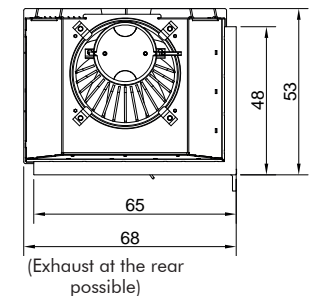
KII 50x68x50 R/L



Front view



Ground plan



KII 50x80x42 right + left / KII 50x80x50 right + left

	KII 50x80x42 R/L	KII 50x80x50 R/L
--	------------------	------------------

Dimensions:

	cm	KII 50x80x42 R/L	KII 50x80x50 R/L
Minimum system size H x W x D*	cm	137x109x72	137x109x80
Ceramic glass dimensions H x W x D	cm	46x74x37	46x74x45
Device dimensions H x W x D	cm	119x89x52	119x89x60
Gross weight	kg	238	258

Technical data:

	kW	KII 50x80x42 R/L	KII 50x80x50 R/L
Nominal power according EN	kW	11	11.5
Capacity range	kW	11.0-11.7	11.5-12.7
Plant heat output for heat storage fireplaces	kW	3.7	3.9
Combustion air nozzle	Ø cm	15	15
Exhaust gas nozzle	Ø cm	20	20
Exhaust possible		on top / rear	on top / rear

Tests:

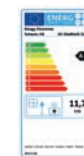
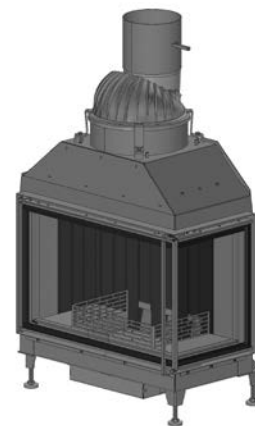
EU	EN 16510	RRF-1022 25 2033	RRF-1022 25 2034
Germany	BImSchV	Stufe 1 + 2	Stufe 1 + 2
Austria	Verordnung 15-A	yes	yes
France	Flamme Verte	*****	*****
Energy label		A	A

Configuration:

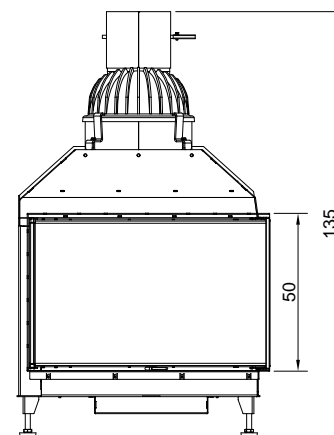
	Thermobrikk®	Thermobrikk®
Combustion chamber walls	Thermobrikk®	Thermobrikk®
Combustion chamber bottom	Steel	Steel
Integrated fan (optional)	no	no
Connection to extra heat exchanger	no	no
Combustion air separate from ambient	yes	yes
Optional: chimney damper control	yes	yes

* Dimensions: Basic equipment with Silca 250 KM Insulation on combustible wall, without optional accessories

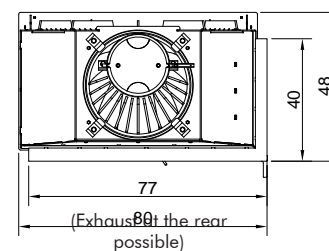
KII 50x80x42 R/L



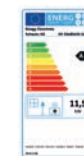
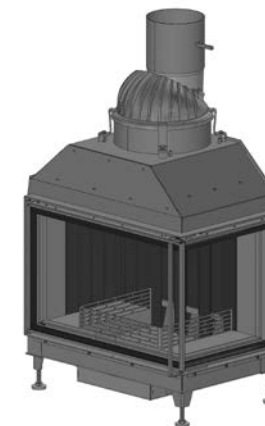
Front view



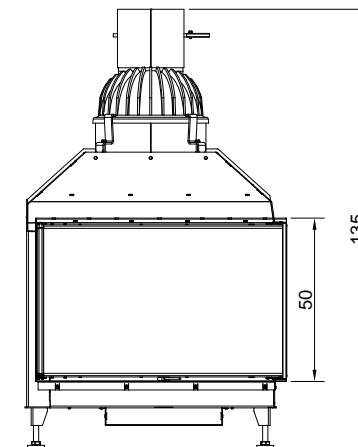
Ground plan



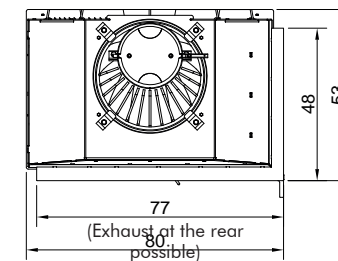
KII 50x80x50 R/L



Front view



Ground plan



2-SIDED



2-SIDED

Rüegg ECO VENUS

ECO VENUS is your versatile two-sided fireplace. A beautiful, efficient, cost-effective and practical solution for almost any room. A crystal clear view of the fire from two sides will delight everyone.

The ECO VENUS is both the evening and morning star in our sky. It is known as a 'wandering star'.

The ECO VENUS fireplace from Rüegg is just as versatile as its namesake. The two-sided pane makes the fire appear spectacular in a wide range of your room environment, whether it's a freestanding and self-confident room element or tucked in a particularly cosy corner.

The compact dimensions of the ECO VENUS fireplace make it absolutely suitable to be installed even in smaller spaces. The Rüegg ECO VENUS is also an excellent choice for passive, low-energy and all well-insulated houses.

So we are not exaggerating by saying: The ECO VENUS fireplace is an efficient device that requires little space, creates an incredible cosy ambience, provides heat and enhances even smaller living spaces.

In short: ECO VENUS is a star in the fireplace sky!

2-SIDED



ECO Venus 510 HK, Rüegg Studio Wels



ECO Venus 510 HK, Rüegg Studio Fulda



ECO Venus 510 HK, Rüegg Studio Wels

ECO VENUS 510 HK right + left

ECO VENUS R/L

Dimensions:

Minimum system size H x W x D*	cm	141x93x74
Ceramic glass dimensions H x W x D	cm	48x68x48
Device dimensions H x W x D	cm	136x72x53
Gross weight	kg	196

Technical data:

Nominal power according EN	kW	12.9
Capacity range	kW	12.9 - 14.1
Plant heat output for heat storage fireplaces	kW	0
Combustion air nozzle	Ø cm	12.5
Exhaust gas nozzle	Ø cm	20
Exhaust possible		on top / rear

Tests:

EU	EN 16510	RRF-1022 25 2029
Germany	BlmSchV	Stufe 1 + 2
Austria	Verordnung 15-A	yes
France	Flamme Verte	*****
Energy label		A

Configuration:

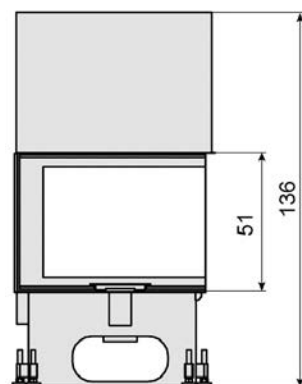
Combustion chamber walls	Thermobrikk®
Combustion chamber bottom	Thermobrikk®
Integrated fan (optional)	no
Connection to extra heat exchanger	yes
Combustion air separate from ambient	yes
Optional: chimney damper control	no

* Dimensions: Basic equipment incl. supporting frame with Silca 250 KM Insulation on combustible wall, without optional accessories

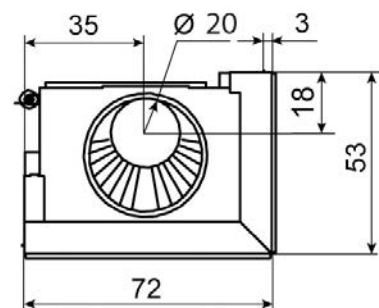
ECO VENUS 510 HK R/L



Front view



Ground plan



(Exhaust at the rear possible)





2-SIDED

Rüegg ECO 720

Clear view of the fire. This dream comes true with the ECO 720 fireplace. The ingenious Rüegg technology also ensures maximum efficiency with the lowest possible pollutant emissions.

Who invented it? The world's first fireplace with sliding pane was made by Rüegg! The first fireplace with a completely unobstructed, two-sided view of the fire was also invention by Rüegg. This innovative spirit continuously provides new staging for fires in the living space. This is what Rüegg is known and loved for.

The ECO 720 has become an absolute fireplace classic. We have further developed its unique values in an uncompromising and straightforward way, making it suitable for architects and fireplace installers almost everywhere. Whether your large living room is furnished in an ultra-modern, minimalist or classic style: the ECO 720 fireplace will fit anywhere and will not be lost in a large room – making it a very attractive solution.

ECO 720 right + left

		ECO 720 R/L
Dimensions:		
Minimum system size H x W x D*	cm	158x107x84
Ceramic glass dimensions H x W x D	cm	54x75x52
Device dimensions H x W x D	cm	153x89x67
Gross weight	kg	360

Technical data:

Nominal power according EN	kW	10
Capacity range	kW	10
Plant heat output for heat storage fireplaces	kW	-
Combustion air nozzle	Ø cm	15
Exhaust gas nozzle	Ø cm	25
Exhaust possible		on top

Tests:

EU	EN 16510	RRF-1022 25 2030
Germany	BImSchV	Stufe 1 + 2
Austria	Verordnung 15-A	no
France	Flamme Verte	*****
Energy label		A

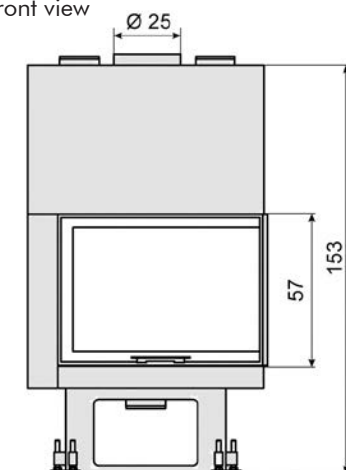
Configuration:

Combustion chamber walls	Thermobrikk®
Combustion chamber bottom	Thermobrikk®
Integrated fan (optional)	yes
Connection to extra heat exchanger	no
Combustion air separate from ambient	yes
Optional: chimney damper control	no

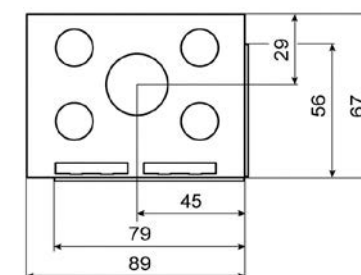
ECO 720 R/L



Front view



Ground plan



* Dimensions: Basic equipment incl. supporting frame with Silca 250 KM Insulation on combustible wall, without optional accessories

2-SIDED





3-SIDED



3-sided

Model	Min. system size* (H x W x D cm)	Page
RIII 45 x 56 x 46	128 x 69 x 82	46. 48
RIII 55 x 56 x 46	148 x 69 x 82	48
RIII 45 x 56 x 60	128 x 69 x 96	49
RIII 55 x 56 x 60	148 x 69 x 96	49
RIII 45 x 56 x 80	128 x 69 x 116	50
RIII 55 x 56 x 80	148 x 69 x 116	50
RIII 45 x 68 x 46	128 x 81 x 82	51
RIII 55 x 68 x 46	128 x 81 x 82	51
RIII 45 x 80 x 46 **	128 x 93 x 82	52
RIII 55 x 80 x 46 **	148 x 93 x 82	52
RIII 45 x 100 x 46 **	128 x 113 x 82	53
RIII 55 x 100 x 46 **	148 x 113 x 82	53

* Dimensions: Basic equipment incl. supporting frame with Silca 250 KM. Insulation on combustible wall, without optional accessories

** Devices also available as "V-version": Supplied with closed housing for convection air and device base with integrated fan

Rüegg RIII

- Entire fireplace in Thermobrikk® and steel: The black combustion chamber discreetly blends in with any surroundings
- The modular design of the RIII family offers the possibility of choosing the appropriate device even if the chimney is already installed
 - Standard connections
 - Uniform insulation
- Installation as a storage system
 - Ideal for use in well-insulated houses because of its delayed heat output
 - No visible air grilles necessary, no additional dust swirling
- Can also be installed flush with the floor (without supporting stand)
- Installation as a hot air system
 - Quickly heats the room
 - Heat distribution over several floors possible
- Removable or invertible tile stop, for effortless transition between the fireplace insert and fireside bench
- The front bench can be connected flush to the device, no unsightly metal frame
- Fresh air connection can be connected from the rear, bottom and side: offers the highest planning flexibility
- No operating levers to clutter up your interior design with an optional integrated chimney damper control

-
- ✓ **Standard exhaust gas nozzle Ø 200 mm**
 - ✓ **Standard combustion air nozzle Ø 150 mm**
 - ✓ **Uniform insulation thickness: 4/5/4 cm***
 - ✓ **Exhaust connection can be on top or at the rear**
 - ✓ **Efficiency ≥ 80 %**

* with active back ventilation

Allow us to suggest: The Rüegg RIII could change your perspectives!

The benefits of the three-sided glazed Rüegg RIII at a glance:

Our team at Rüegg Cheminée Schweiz AG, we have been passionately building high-quality fireplaces for over 65 years. Our new products have been setting standards for decades.

These qualities are also combined in the three-sided Rüegg RIII, which brings campfire romanticism inside your four walls with its all-round view and surprises you with technically refined, best in class details. With RIII we are absolutely convinced to offer you the best fireplaces worldwide.

The benefits of the three-sided glazed Rüegg RIII at a glance:

- The architecture of the RII provides lots of freedom in the custom design of your fireplace
- Efficient auxiliary heating independent from electricity, gas or oil
- The RIII, which is integrated in a storage system, provides cosy radiant heat for several hours, making it your personal sun in your living room.
- Long Life Conception: Nowadays, Rüegg develops fireplaces that are designed to last for decades.
- Swiss quality: As Swiss quality seal holder, Rüegg fireplaces are synonymous with outstanding manufacturing quality.
- Refined aesthetics: Rüegg fireplaces impress with their incomparable puristic design. The uncompromising integration of all mechanical elements and the cubic lines allow to create extremely clean and discrete designs.
- Combustion chamber with Thermobrikk®: The main function of the combustion chamber of a fireplace is to keep the high temperature inside the chamber. This is the only way to achieve higher efficiency and truly efficient and clean combustion.

**The Rüegg RIII, installed by a Rüegg Studio near to you:
It is impossible to have more fire pleasure!**



Rüegg RIII, Rüegg Studio Kremsmünster



Rüegg RIII, Rüegg Studio Rheintal



3-SIDED

RIII 45x56x46 / RIII 55x56x46

RIII 45x56x46 RIII 55x56x46

Dimensions:

	cm	RIII 45x56x46	RIII 55x56x46
Minimum system size H x W x D*	cm	128x69x82	148x69x82
Ceramic glass dimensions H x W x D	cm	42x50x42	52x50x42
Device dimensions H x W x D	cm	119x54x61	139x54x61
Gross weight	kg	181	209

Technical data:

Nominal power according EN	kW	12.6	11.1
Capacity range	kW	12.6 - 13.8	11.1-12.2
Plant heat output for heat storage fireplaces	kW	4.2	3.7
Combustion air nozzle	Ø cm	15	15
Exhaust gas nozzle	Ø cm	20	20
Exhaust possible		on top / rear	on top / rear

Tests:

EU	EN 16510	RRF-1022 24 1133	RRF-1022 24 1134
Germany	BlmSchV	Stufe 1 + 2	Stufe 1 + 2
Austria	Verordnung 15-A	yes	yes
France	Flamme Verte	*****	*****
Energy label		A	A

Configuration:

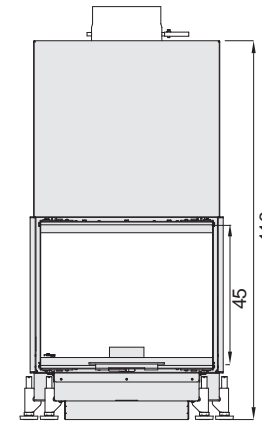
Combustion chamber walls	Thermobrikk®	Thermobrikk®
Combustion chamber bottom	Steel	Steel
Integrated fan (optional)	no	no
Connection to extra heat exchanger	no	no
Combustion air separate from ambient	yes	yes
Optional: chimney damper control	yes	yes

* Dimensions: Basic equipment incl. supporting frame with Silca 250 KM Insulation on combustible wall, without optional accessories

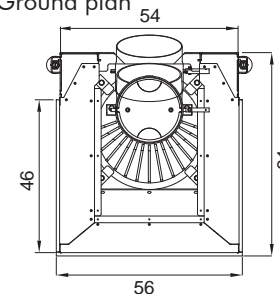
RIII 45x56x46



Front view



Ground plan

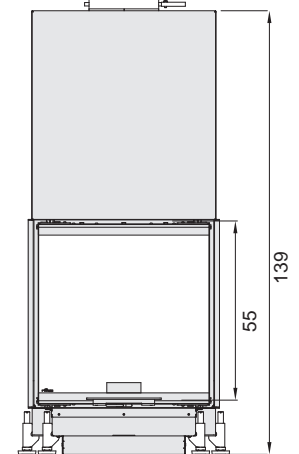


(Exhaust at the rear possible)

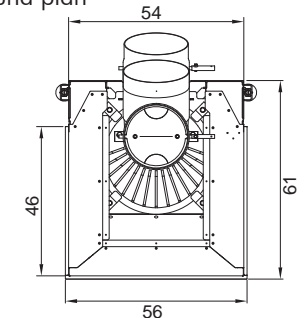
RIII 55x56x46



Front view



Ground plan



(Exhaust at the rear possible)

RIII 45x56x60 / RIII 55x56x60

		RIII 45x56x60	RIII 55x56x60
Dimensions:			
Minimum system size H x W x D*	cm	128x69x96	148x69x96
Ceramic glass dimensions H x W x D	cm	42x50x56	52x50x56
Device dimensions H x W x D	cm	119x54x75	139x54x75
Gross weight	kg	207	231

Technical data:

Nominal power according EN	kW	11	11.9
Capacity range	kW	11	11.9
Plant heat output for heat storage fireplaces	kW	3.7	4
Combustion air nozzle	Ø cm	15	15
Exhaust gas nozzle	Ø cm	20	20
Exhaust possible		on top / rear	on top / rear

Tests:

EU	EN 16510	RRF-1022 24 1135	RRF-1022 24 1136
Germany	BlmSchV	Stufe 1 + 2	Stufe 1 + 2
Austria	Verordnung 15-A	yes	yes
France	Flamme Verte	*****	*****
Energy label		A	A

Configuration:

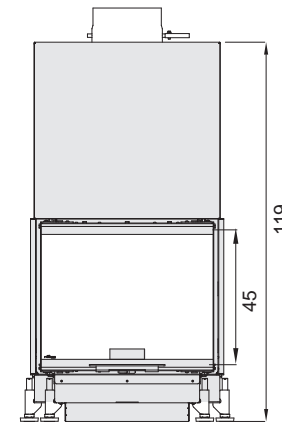
Combustion chamber walls	Thermobrikk®	Thermobrikk®
Combustion chamber bottom	Steel	Steel
Integrated fan (optional)	no	no
Connection to extra heat exchanger	no	no
Combustion air separate from ambient	yes	yes
Optional: chimney damper control	yes	yes

* Dimensions: Basic equipment incl. supporting frame with Silca 250 KM Insulation on combustible wall, without optional accessories

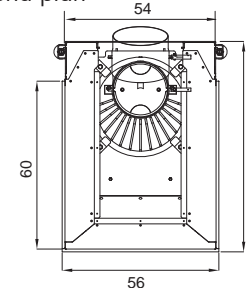
RIII 45x56x60



Front view



Ground plan

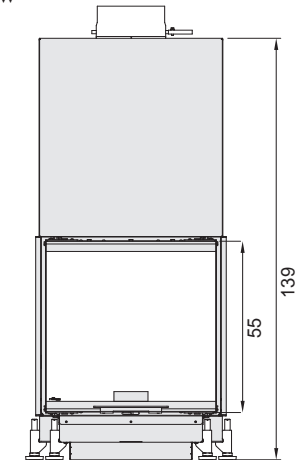


(Exhaust at the rear possible)

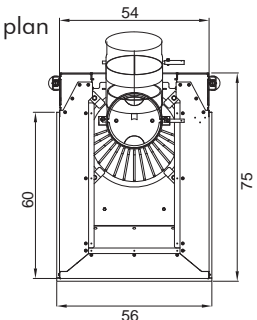
RIII 55x56x60



Front view



Ground plan



(Exhaust at the rear possible)

RIII 45x56x80 / RIII 55x56x80

RIII 45x56x80 RIII 55x56x80

Dimensions:

	cm	RIII 45x56x80	RIII 55x56x80
Minimum system size H x W x D*	cm	128x69x116	148x69x116
Ceramic glass dimensions H x W x D	cm	42x50x76	52x50x76
Device dimensions H x W x D	cm	119x54x95	139x54x95
Gross weight	kg	237	262

Technical data:

Nominal power according EN	kW	11	12
Capacity range	kW	11.0 - 12.0	12.0 - 12.1
Plant heat output for heat storage fireplaces	kW	3.7	4
Combustion air nozzle	Ø cm	15	15
Exhaust gas nozzle	Ø cm	20	20
Exhaust possible		on top / rear	on top / rear

Tests:

EU	EN 16510	RRF-1022 24 1137	RRF-1022 24 1138
Germany	BlmSchV	Stufe 1 + 2	Stufe 1 + 2
Austria	Verordnung 15-A	yes	yes
France	Flamme Verte	*****	*****
Energy label		A	A

Configuration:

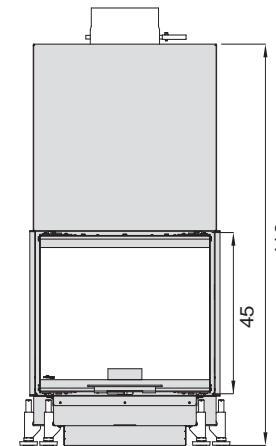
Combustion chamber walls	Thermobrikk®	Thermobrikk®
Combustion chamber bottom	Steel	Steel
Integrated fan (optional)	no	no
Connection to extra heat exchanger	no	no
Combustion air separate from ambient	yes	yes
Optional: chimney damper control	yes	yes

* Dimensions: Basic equipment incl. supporting frame with Silca 250 KM Insulation on combustible wall, without optional accessories

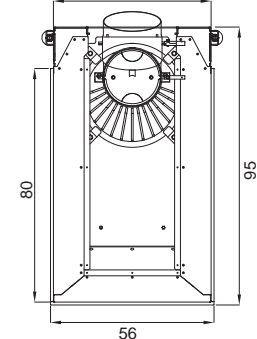
RIII 45x56x80



Front view



Ground plan

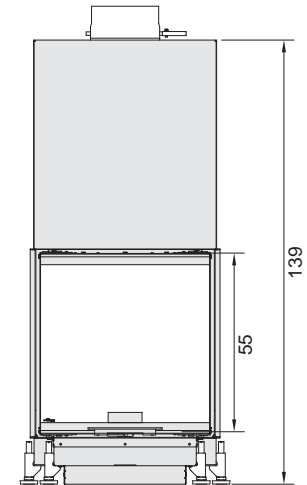


(Abgang auch hinten möglich)

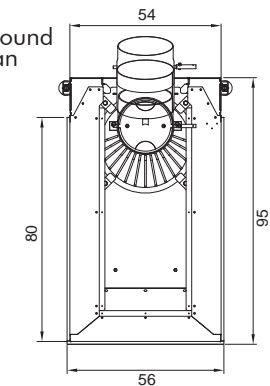
RIII 55x56x80



Front view



Ground plan



(Abgang auch hinten möglich)

RIII 45x68x46 / RIII 55x68x46

		RIII 45x68x46	RIII 55x68x46
Dimensions:			
Minimum system size H x W x D*	cm	128x81x82	148x81x82
Ceramic glass dimensions H x W x D	cm	42x62x42	52x62x42
Device dimensions H x W x D	cm	119x66x61	139x66x61
Gross weight	kg	209	234

Technical data:

Nominal power according EN	kW	11	12
Capacity range	kW	11.0 - 11.8	12.0 - 12.4
Plant heat output for heat storage fireplaces	kW	3.7	4
Combustion air nozzle	Ø cm	15	15
Exhaust gas nozzle	Ø cm	20	20
Exhaust possible		on top / rear	on top / rear

Tests:

EU	EN 16510	RRF-1022 24 1139	RRF-1022 24 1140
Germany	BlmSchV	Stufe 1 + 2	Stufe 1 + 2
Austria	Verordnung 15-A	yes	yes
France	Flamme Verte	*****	*****
Energy label		A	A

Configuration:

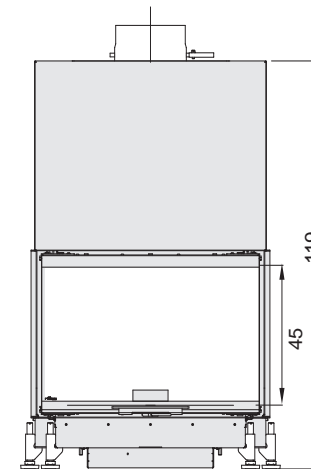
Combustion chamber walls	Thermobrikk®	Thermobrikk®
Combustion chamber bottom	Steel	Steel
Integrated fan (optional)	no	no
Connection to extra heat exchanger	no	no
Combustion air separate from ambient	yes	yes
Optional: chimney damper control	yes	yes

* Dimensions: Basic equipment incl. supporting frame with Silca 250 KM Insulation on combustible wall, without optional accessories

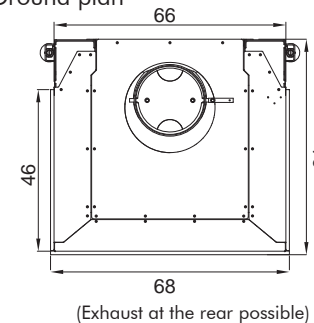
RIII 45x68x46



Front view



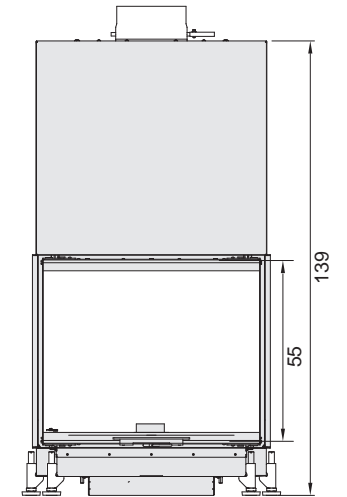
Ground plan



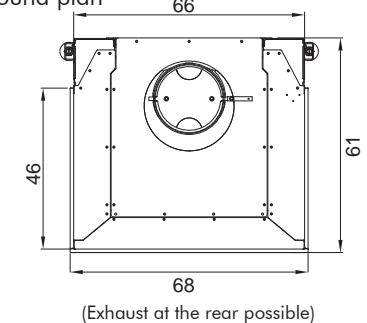
RIII 55x68x46



Front view



Ground plan



3-SIDED

RIII 45x80x46 / RIII 55x80x46

	RIII 45x80x46	RIII 55x80x46
--	---------------	---------------

Dimensions:

	cm	RIII 45x80x46	RIII 55x80x46
Minimum system size H x W x D*	cm	128x93x82	148x93x82
Ceramic glass dimensions H x W x D	cm	42x74x42	52x74x42
Device dimensions H x W x D	cm	119x78x61	139x78x61
Gross weight	kg	230	254

Technical data:

	kW	RIII 45x80x46	RIII 55x80x46
Nominal power according EN	kW	11.5	12.3
Capacity range	kW	11.5 - 12.6	12.3 - 12.7
Plant heat output for heat storage fireplaces	kW	3.9	4.1
Combustion air nozzle	Ø cm	15	15
Exhaust gas nozzle	Ø cm	20	20
Exhaust possible		on top / rear	on top / rear

Tests:

EU	EN 16510	RRF-1022 24 1142	RRF-1022 24 1144
Germany	BlmSchV	Stufe 1 + 2	Stufe 1 + 2
Austria	Verordnung 15-A	yes	yes
France	Flamme Verte	*****	*****
Energy label		A	A

Configuration:

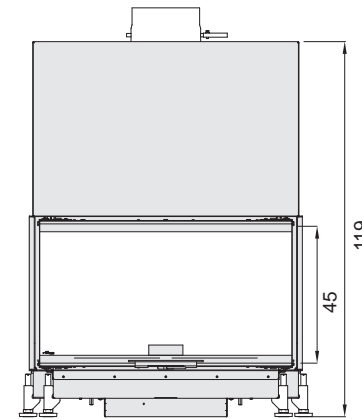
	Thermobrikk®	Thermobrikk®
Combustion chamber walls	Thermobrikk®	Thermobrikk®
Combustion chamber bottom	Steel	Steel
Integrated fan (optional)	yes	yes
Connection to extra heat exchanger	no	no
Combustion air separate from ambient	yes	yes
Optional: chimney damper control	yes	yes

* Dimensions: Basic equipment incl. supporting frame with Silca 250 KM Insulation on combustible wall, without optional accessories

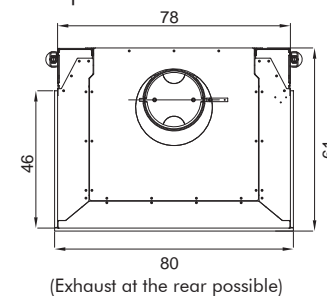
RIII 45x80x46



Front view



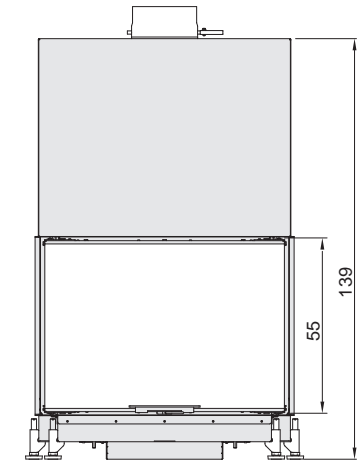
Ground plan



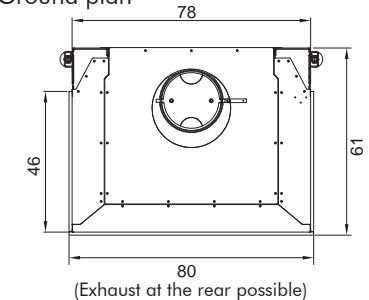
RIII 55x80x46



Front view



Ground plan



RIII 45x100x46 / RIII 55x100x46

		RIII 45x100x46	RIII 55x100x46
Dimensions:			
Minimum system size H x W x D*	cm	128x113x82	148x113x82
Ceramic glass dimensions H x W x D	cm	42x94x42	52x94x42
Device dimensions H x W x D	cm	119x98x61	139x98x61
Gross weight	kg	270	299

Technical data:

Nominal power according EN	kW	11.7	11.1
Capacity range	kW	11.7 - 12.8	11.1 - 12.2
Plant heat output for heat storage fireplaces	kW	3.9	3.7
Combustion air nozzle	Ø cm	15	15
Exhaust gas nozzle	Ø cm	20	20
Exhaust possible		on top / rear	on top / rear

Tests:

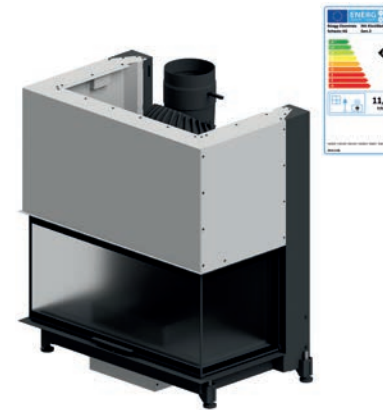
EU	EN 16510	RRF-1022 24 1145	RRF-1022 24 1146
Germany	BlmSchV	Stufe 1 + 2	Stufe 1 + 2
Austria	Verordnung 15-A	yes	yes
France	Flamme Verte	*****	*****
Energy label		A	A

Configuration:

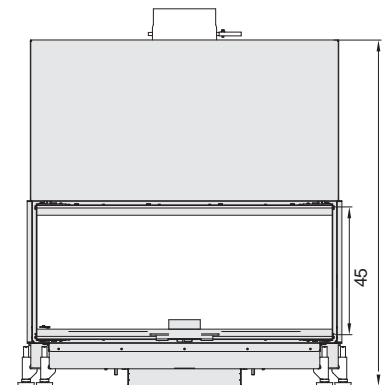
Combustion chamber walls	Thermobrikk®	Thermobrikk®
Combustion chamber bottom	Steel	Steel
Integrated fan (optional)	yes	yes
Connection to extra heat exchanger	no	no
Combustion air separate from ambient	yes	yes
Optional: chimney damper control	yes	yes

* Dimensions: Basic equipment incl. supporting frame with Silca 250 KM Insulation on combustible wall, without optional accessories

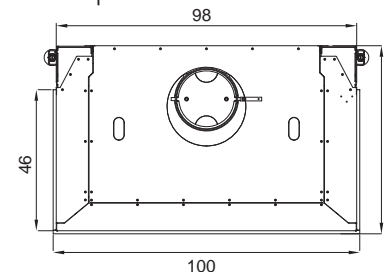
RIII 45x100x46



Front view



Ground plan

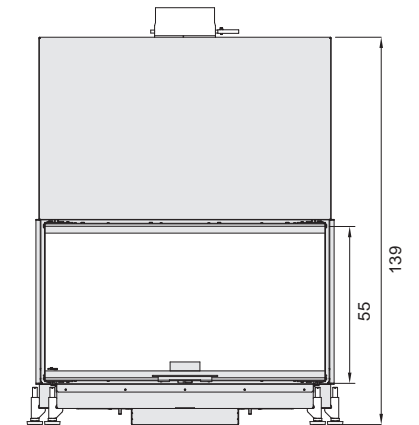


(Exhaust at the rear possible)

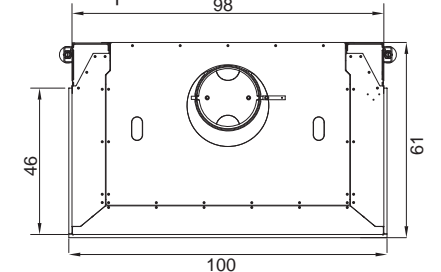
RIII 55x100x46



Front view



Ground plan



(Exhaust at the rear possible)

3-SIDED





3-SIDED

3-SIDED
ASYMMETRICAL



3-sided asymmetrical

Model	Min. system size* (H x W x D cm)	Page
RAS 50 x 68 x 42 R/L long	138 x 81 x 72	58, 59
RAS 50 x 80 x 42 R/L long	138 x 93 x 72	59

* Dimensions: Basic equipment incl. supporting frame with Silca 250 KM Insulation on combustible wall, without optional accessories

Rüegg RAS

- Entire fireplace in Thermobrikk® and steel: The black combustion chamber discreetly blends in with any surroundings
- Thanks to its asymmetrical design, the Rüegg RAS is ideal for direct installation along an adjacent chimney
- Installation as a storage system
 - Ideal for use in well-insulated houses because of its delayed heat output
 - No visible air grilles necessary, no additional dust swirling
- Installation as a hot air system
 - Quickly heats the room
 - Heat distribution over several floors possible
- Can also be installed flush with the floor (without supporting stand)
- Removable or invertible tile stop, for effortless transition between the fireplace insert and fireside bench
- The front bench can be connected flush to the device, no unsightly metal frame
- Fresh air connection can be connected from the rear and bottom: offers the highest planning flexibility
- No operating levers to clutter up your interior design with an optional integrated chimney damper control
- Very compact design: ideal for small rooms

-
- ✓ **Standard exhaust gas nozzle Ø 180 mm**
 - ✓ **Standard combustion air nozzle Ø 150 mm**
 - ✓ **Uniform insulation thickness: 4/5/4 cm***
 - ✓ **Exhaust connection can be on top or at the rear**
 - ✓ **Efficiency ≥ 80 %**

* with active back ventilation

The ideal solution for adjacent chimneys: Rüegg RAS

With their side windows of different lengths, the Rüegg RAS models are just as convincing when fitted directly to an adjacent chimney or in combination with wood niches.

Which fireplace installer is not familiar with this situation: a fireplace insert needs to be attached to an internal chimney. A two-sided glazed fireplace stands with the closed side over the chimney and a three-sided glazed fireplace must be planned with a distance to the chimney so that the side windows can be opened easily for cleaning. The Rüegg RAS solves this situation elegantly with its one-sided shortened side window.

On the opposite side away from the chimney, you enjoy the full view up to the back of the rear wall as usual. On the chimney side or the side of the add-on element, the pane is flush with the end of the element so that you have a guaranteed view of the fire and can easily open the door (International design application).

The advantages of the three-sided glazed Rüegg RAS at a glance:

- The unique architecture of the Rüegg RAS offers a great deal of freedom in the individual design of your fireplace with internal chimneys, wooden niches and other design elements (International design application)
- The sophisticated design allows the most compact construction with the projection of 72cm on combustible back walls (tested according to EN 16510)
- Rüegg RAS, integrated in a storage system, provides cosy radiant heat for several hours and becomes your personal sun in your living room
- Long Life Conception: In times of a throw-away society, Rüegg develops fireplace inserts that are designed for a very long operating time
- Swiss quality: As Swiss quality seal holder, Rüegg fireplace inserts are synonymous with outstanding manufacturing quality
- Refined aesthetics: Rüegg fireplace inserts impress with their incomparable puristic design. The uncompromising integration of all mechanical elements and the cubic lines allow to create extremely clean and discrete designs.
- Combustion chamber with Thermobrikk®: The main function of the combustion chamber of a fireplace is to keep the high temperature inside the chamber. This is the only way to achieve higher efficiency and truly efficient and clean combustion

**The Rüegg RAS, installed by a Rüegg partner near to you:
It is impossible to have more fire pleasure!**



RAS 50x80x42, Rüegg Studio Freudenberg



RAS 50x68x42, Rüegg Studio Steckborn

RAS 50x68x42 right/left long / RAS 50x80x42 right/left long

RAS 50x68x42 R/L I | RAS 50x80x42 R/L I

Dimensions:

Minimum system size H x W x D*	cm	138x81x72	138x93x72
Ceramic glass dimensions H x W x D	cm	46x62x36x23	46x74x36x23
Device dimensions H x W x D	cm	130x68x52	130x80x52
Gross weight	kg	195	214

Technical data:

Nominal power according EN	kW	10.5	10.9
Capacity range	kW	10.5	10.9-12.0
Plant heat output for heat storage fireplaces	kW	3.5	3.7
Combustion air nozzle	Ø cm	15	15
Exhaust gas nozzle	Ø cm	18	18
Exhaust possible		on top / rear	on top / rear

Tests:

EU	EN 16510	RRF-1022 25 2035	RRF-1022 25 2036
Germany	BImSchV	Stufe 1 + 2	Stufe 1 + 2
Austria	Verordnung 15-A	yes	yes
France	Flamme Verte	*****	*****
Energy label		A	A

Configuration:

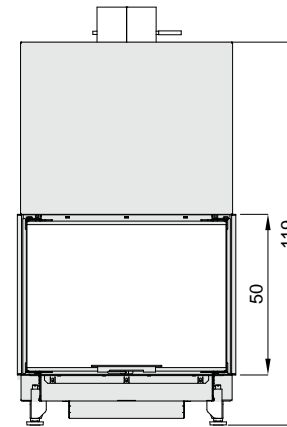
Combustion chamber walls	Thermobrikk®	Thermobrikk®
Combustion chamber bottom	Steel	Steel
Integrated fan (optional)	no	no
Connection to extra heat exchanger	no	no
Combustion air separate from ambient	yes	yes
Optional: chimney damper control	yes	yes

* Dimensions: Basic equipment incl. supporting frame with Silca 250 KM
Insulation on combustible wall, without optional accessories

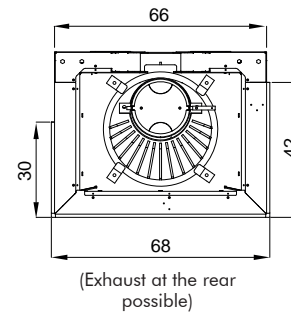
RIII RAS 50x68x42 R/L long



Front view



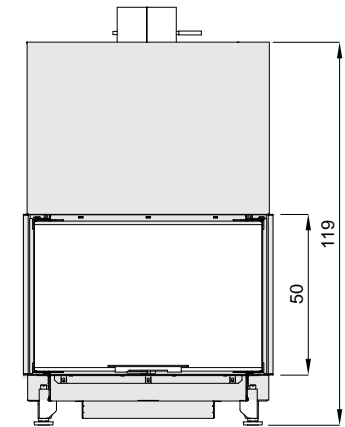
Ground plan



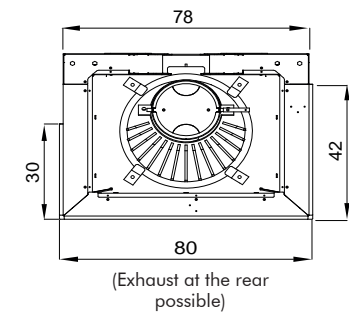
RIII RAS 50x80x42 R/L long



Front view



Ground plan



3-SIDED
ASYMMETRICAL



4-SIDED

Bitte lachen

4-sided

Model	Min. system size* (H x W x D cm)	Page
CUBEO®	168 x 83 x 83	62-67

* Dimensions: Basic equipment incl. supporting frame with Silca 250 KM
Insulation on combustible wall, without optional accessories

CUBEO®

- The four glass panes reveal unimagined perspectives and breath-taking views of the flames
- Maximum design freedom
- The CUBEO® combines design, technology and high-quality workmanship and is protected throughout Europe in terms of model and design
- Entire fireplace in Thermobrikk® and steel:
- The black firebox blends in with any surroundings
- Required installation area: from 1.1 m²
- Approved with all required environmental tests

Additional advantages of our four-sided CUBEO®

- Discrete, elegant design:
 - lets you create the highlights where you desire – not intrusive in the room design
- An almost invisible pane surround gives incomparable and unique visibility of the fire
- Can be adapted to almost any architectural configuration because of the large number of adjustment possibilities
- Filigree and elegant pane edge seal with spring steel seal
- All moving parts can be replaced with the unit in place: if a part needs to be replaced despite the high quality of workmanship, this can be done without damaging the cladding. Saves energy, time, money and avoids dust.
- Durability and reliability in proven Swiss quality
- Attractive flame pattern due to a clever combustion chamber design and precise combustion air supply
- User-friendliness and functionality:
 - Extremely smooth-running panes that stay clean for a long period and are easy to clean
 - Simple to operate
- Efficient auxiliary heating independent from electricity, gas or oil
- Meets the relevant European energy and environmental regulations

Rüegg CUBEO®

The CUBEO® gives you an almost 360° breath-taking view of the fascinating flames.

Whether it's the focal point in your living space or a creative room divider: the design of the CUBEO® fireplace provides unique opportunities in the design of your living space. There are almost unlimited options for its placement. Immerse yourself in the limitless intrigue of fire – whether at breakfast on a snowy winter morning, at dinner on a balmy summer evening or while you allow the day to wind down with a glass of wine on the sofa. CUBEO® provides an all-round view of the fire, from all four sides and from almost 360°.

The CUBEO® combines design, technology and high-quality workmanship and is protected throughout Europe in terms of model and design. With its innovative properties, developed in our own laboratory, this fireplace is a sustainable heat source in two ways: as a timeless furnishing solution as well as a climate-neutral heating system.

As a fully certified premium product, CUBEO® is the only four-sided fireplace on the market.



CUBEO®, Rüegg Studio Oberbayern



CUBEO®, Rüegg Studio Freudenberg



4-SIDED

CUBEO®

CUBEO®

Dimensions:

Minimum system size H x W x D*	cm	168x83x83
Ceramic glass dimensions H x W x D	cm	54x58x31
Device dimensions H x W x D	cm	160x64x64
Gross weight	kg	348

Technical data:

Nominal power according EN	kW	13.3
Capacity range	kW	13.3
Plant heat output for heat storage fireplaces	kW	-
Combustion air nozzle	Ø cm	15
Exhaust gas nozzle	Ø cm	20
Exhaust possible		on top / rear

Tests:

EU	EN 16510	RRF-1022 24 1591
Germany	BImSchV	Stufe 1 + 2
Austria	Verordnung 15-A	yes
France	Flamme Verte	-
Energy label		A

Configuration:

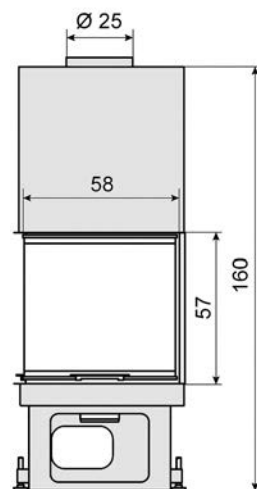
Combustion chamber walls	Steel
Combustion chamber bottom	Thermobrikk®
Integrated fan (optional)	no
Connection to extra heat exchanger	no
Combustion air separate from ambient	yes
Optional: chimney damper control	no

* Dimensions: Basic equipment incl. supporting frame with Silca 250 KM Insulation on combustible wall, without optional accessories

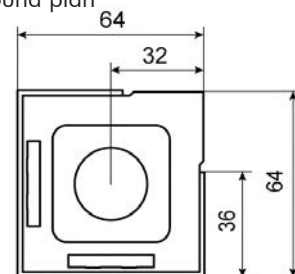
CUBEO®



Front view



Ground plan



CUBEO®, Rüegg Studio Rheintal



CUBEO®, Rüegg Cheminée Schweiz AG



4-SIDED



4-SIDED

“A DESIGNER PIECE WITH VISION.”

Marie-Therese Brunner, Murg (Switzerland)

Marie-Therese Brunner desired a fireplace with all-round visibility and so she opted for the Cubeo® model. Her fireplace installer designed the fireplace exactly according to Ms Brunner's own ideas.

She is delighted by the combination of the minimalist shape and the dynamic fire.

“In winter, I light a fire almost every day. On Sundays, I often do it for brunch,” says the passionate entrepreneur. “I love being in front of the fire, dreaming, dozing, reading or listening to music.”




4-SIDED



ROUND

Round

Model	Min. system size* (H x W x D cm)	Page
 Odeon 270°	167 x 84 x 84	70, 71

* Dimensions: Basic equipment incl. supporting frame with Silca 250 KM Insulation on combustible wall, without optional accessories

Rüegg ODEON

- The round glass shape reveals unimagined perspectives and breath-taking views of the flame effect
- Maximum design freedom
- Entire fireplace in Thermobrikk® and steel for the best resistance and durability
- Required installation area: from 1.1 m²
- Approved with all required environmental tests

Rüegg ODEON 270°

With its harmonious design, the ODEON fireplace is the centrepiece of stylish living spaces.

The round pane of the ODEON offers you a magnificent 270° panorama of the flames! It is best used in open spaces, but it can also be installed in walls or corners to satisfy any aesthetic request. Experience the perfect combination of rounded elegance and endless fire enjoyment!

Like its straight-lined brother CUBEO®, ODEON also offers a clear view of the crackling fire: the perfect combination of warmth, security, safety and independence.

**You've never felt more comfortable.
ODEON – simply successfully all-round!**



Odeon, Rüegg Studio Koblenz



Odeon, Rüegg Studio Rheintal

ODEON 270°

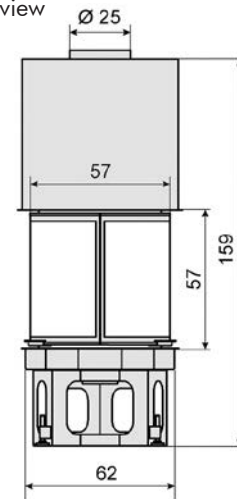
		ODEON 270°
Dimensions:		
Minimum system size H x W x D*	cm	167x84x84
Ceramic glass dimensions H x W x D	cm	54x54x41
Device dimensions H x W x D	cm	159x64x77
Gross weight	kg	305
Technical data:		
Nominal power according EN	kW	13.6
Capacity range	kW	13.6
Plant heat output for heat storage fireplaces	kW	-
Combustion air nozzle	Ø cm	15
Exhaust gas nozzle	Ø cm	20
Exhaust possible		on top
Tests:		
EU	EN 16510	2014154
Germany	BlmSchV	Stufe 1 + 2
Austria	Verordnung 15-A	yes
France	Flamme Verte	*****
Energy label		A
Configuration:		
Combustion chamber walls		Steel
Combustion chamber bottom		Thermobrikk®
Integrated fan (optional)		no
Connection to extra heat exchanger		no
Combustion air separate from ambient		yes
Optional: chimney damper control		no

* Dimensions: Basic equipment incl. supporting frame with Silca 250 KM Insulation on combustible wall, without optional accessories

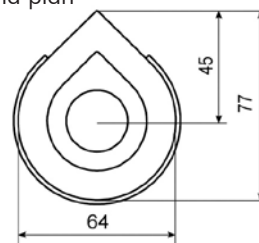
ODEON 270°



Front view



Ground plan



Odeon, Studio Rüegg La Chaize le Vicomte



Odeon, Rüegg Studio Koblenz

ROUND



TUNNEL





Tunnel

Rüegg VIOLINO TUNNEL with catalytic converter

- Front pane: can be pushed up and folded, for adding wood and for cleaning
Rear: folding, for cleaning the pane
- Thanks to the foldable back, no serving plate is required on the back
- An almost invisible pane surround gives incomparable and unique visibility of the fire
- Discrete, elegant design: lets you create the highlights where you desire
 - not intrusive in the room design
- All moving parts can be replaced with the unit in place: if a part needs to be replaced despite the high quality of workmanship, this can be done without damaging the cladding. Saves energy, time, money and avoids dust.
- User-friendliness and functionality:
 - Extremely smooth-running pane that stay clean for a long period and are easy to clean
 - Simple to operate
- Durability and reliability in proven Swiss quality
- Attractive flame pattern due to a clever combustion chamber design and precise combustion air supply
- Can be adapted to almost any architectural configuration because of the large number of adjustment possibilities
- Meets the relevant European energy and environmental regulations
- Can be supplemented with CloudFire control system
- Is able to be designed as a storage system (without hot air grille)

Model	Min. system size* (H x W x D cm)	Page
Violino Tunnel 55 x 73	133x118x60	74, 75
Violino Tunnel 55 x 98	133x143x60	75
Violino Tunnel 45 x 80	113x125x60	76

* Dimensions: Basic equipment incl. supporting frame with Silca 250 KM Insulation on combustible wall, without optional accessories

- ✓ **Standard exhaust gas nozzle Ø 200 mm**
- ✓ **Standard combustion air nozzle Ø 150 mm**
- ✓ **Uniform insulation thickness: 4/5/4 cm***
- ✓ **Exhaust connection can be on top or side**

* with active back ventilation

Rüegg Violino Tunnel with catalytic converter

– Even more environmentally friendly heating

The new VIOLINO TUNNEL are fireplaces with a generous expression, tailored to the individual living space. In the room or free-standing as a room divider, they provide a natural setting for the fire. The new VIOLINO TUNNELS suit people who enjoy pleasure. They are heat dispensers of exceptional format and offer the usual Rüegg quality.

In addition to the customary Rüegg quality, the VIOLINO TUNNELS brings another new highlight from Rüegg to the market.

The **VIOLINO TUNNEL** is the first fireplace from Rüegg **to be launched with a catalytic converter**. As a result, it achieves excellent higher heating values and makes an important contribution to maintaining a healthy environment.

Catalytic converter from Rüegg Cheminée Schweiz AG

The catalytic converter is our latest achievement and guarantees even more environmentally friendly combustion. It reduces pollutants in the exhaust gas (e.g. ensures lower CO values) and contributes to even more efficient combustion.

- Catalytic converters reduce CO, CnHm, VOC and dust.
- They are stable at high temperatures and can permanently withstand an operating temperature of 700°C.
- Catalytic converters are stable over the long term.
- Our catalytic converters are integrated into the furnace and are therefore part of the furnace
- They are easy to clean. Cleaning and maintenance are described in a separate operating manual.
- They are an economical way of significantly reducing emissions from wood firing systems.

In this way, the VIOLINO TUNNELS ensure that wood firing can continue to be the environmentally friendly and correct alternative heat source in every household in the future.

With its reduced nominal heat output, the appliance is also ideal for small rooms (nominal heat output VIOLINO TUNNEL 55x73: 9.4 KW, VIOLINO TUNNEL 55x98 : 9,5 kW, VIOLINO TUNNEL 45x80 : 8,8 kW).



Violino Tunnel 55x98, Rüegg Cheminée Schweiz AG



Violino Tunnel 55x73, Rüegg Studio Vertou

Violino Tunnel 55x73 / Violino Tunnel 55x98

	Violino Tunnel 55x73	Violino Tunnel 55x98
--	----------------------	----------------------

Dimensions:

	cm	Violino Tunnel 55x73	Violino Tunnel 55x98
Minimum system size H x W x D*	cm	133x118x60	133x143x60
Ceramic glass dimensions H x W	cm	52x71	52x96
Device dimensions H x W x D	cm	125x90x50	125x115x50
Gross weight	kg	195	224

Technical data:

	kW	Violino Tunnel 55x73	Violino Tunnel 55x98
Nominal power according EN	kW	9.4	9.5
Capacity range	kW	9.4 - 9.8	9.5 - 9.9
Plant heat output for heat storage fireplaces	kW	3.2	3.2
Combustion air nozzle	Ø cm	15	15
Exhaust gas nozzle	Ø cm	20	20
Exhaust possible		on top	on top

Tests:

EU	EN 16510	RRF-1022 25 2110	RRF-1022 25 2111
Germany	BImSchV	Stufe 1 + 2	Stufe 1 + 2
Austria	Verordnung 15-A	yes	yes
France	Flamme Verte	*****	*****
Energy label		A	A

Configuration:

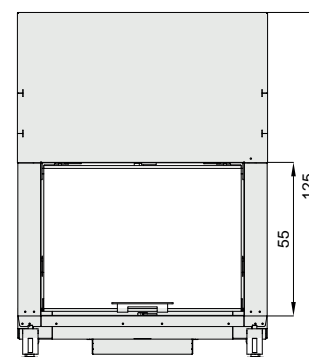
	Violino Tunnel 55x73	Violino Tunnel 55x98
Combustion chamber walls	Steel	Steel
Combustion chamber bottom	Steel	Steel
Integrated fan (optional)	no	no
Connection to extra heat exchanger	no	no
Combustion air separate from ambient	yes	yes
Optional: chimney damper control	yes	yes

* Dimensions: Basic equipment incl. supporting frame with Silca 250 KM Insulation on combustible wall, without optional accessories

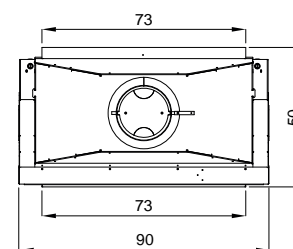
Violino Tunnel 55x73 **NEW**



Front view



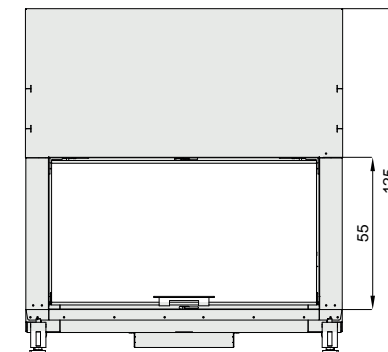
Ground plan



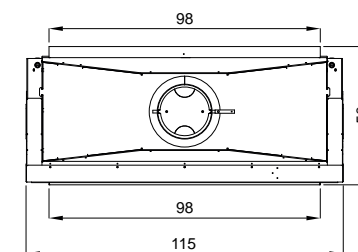
Violino Tunnel 55x98 **NEW**



Front view



Ground plan



TUNNEL

Violino Tunnel 45x80

Violino Tunnel 45x80

Dimensions:

Minimum system size H x W x D*	cm	113x125x60
Ceramic glass dimensions H x W	cm	42x78
Device dimensions H x W x D	cm	105x97x50
Gross weight	kg	181

Technical data:

Nominal power according EN	kW	8.8
Capacity range	kW	8.8 - 9.4
Plant heat output for heat storage fireplaces	kW	3
Combustion air nozzle	Ø cm	15
Exhaust gas nozzle	Ø cm	20
Exhaust possible		on top

Tests:

EU	EN 16510	RRF-1022 25 2109
Germany	BImSchV	Stufe 1 + 2
Austria	Verordnung 15-A	yes
France	Flamme Verte	*****
Energy label		A

Configuration:

Combustion chamber walls	Steel
Combustion chamber bottom	Steel
Integrated fan (optional)	no
Connection to extra heat exchanger	no
Combustion air separate from ambient	yes
Optional: chimney damper control	yes

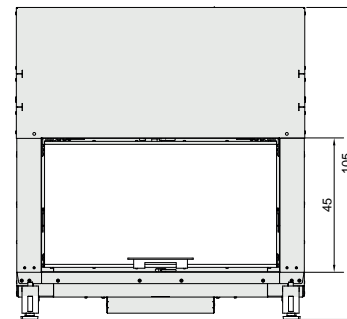
Violino Tunnel 45x80



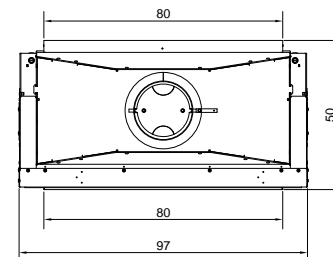
NEW



Frontansicht



Grundriss



* Dimensions: Basic equipment incl. supporting frame with Silca 250 KM Insulation on combustible wall, without optional accessories



Violino Tunnel 45x80, Rüegg Cheminée Schweiz AG



TUNNEL



Prefabricated Fireplaces

Model	Min. system size* (H x W x D cm)	Page
CELTIS (3-sided)	172 x 68 x 73	80, 82
TILIA (3-sided)	171 x 68 x 67	81, 82

* Dimensions: Basic equipment incl. supporting frame with Silca 250 KM Insulation on combustible wall, without optional accessories

Rüegg CELTIS · Rüegg TILIA

Once delivered, the devices can be installed in less than a day and largely dust-free

TILIA, CELTIS

- Once delivered, the fireplaces can be installed in less than a day and largely dust-free
- Reduced space requirement: they can be installed on less than 1 m² of living space with clearance of just 1 cm to combustible walls in accordance with fire regulations
- The three-sided glazing allows for an all-round view of the log fire
- User-friendliness and functionality: Smooth-running panes that stay clean for a long period and – like the cladding – are easy to clean
- Available with optional heat storage-modules
The clever spring steel seals close the panes tightly at the corners and prevent the smell of smoke
- All moving parts can be replaced with the unit in place: if a part needs to be replaced despite the high quality of workmanship, this can be done without damaging the cladding.
- Attractive flame pattern due to a clever combustion chamber design and precise combustion air supply
- Can be dismantled without damaging the device (e.g. during home renovations)

Rüegg CELTIS

The benefits of the three-sided glazed CELTIS at a glance:

A conventional fireplace is reminiscent of a diva. It's unique and can be installed without careful planning or any additional construction work. Rüegg's pre-assembled innovation, on the other hand, has no such pretensions.

Elegance in black steel!

The CELTIS combines the benefits of a stove with the visual and technical advantages of a classic fireplace.

Made in Switzerland, the exquisitely crafted cladding is simple and elegant in its beauty. Manufactured from 5 mm-thick steel, in two different shades of black, this minimalist stove is the secret star of your sophisticated living space.

- High efficiency level and emissions lower than average / energy label A+
- Available in two different surfaces: natural black or chocolate black



CEL TIS, Studio Rüegg Dijon

Rüegg TILIA

The straightforward aesthete.

The new prefabricated fireplace from Rüegg, named after the Latin tree TILIA, combines the advantages of a stove with the visual and technical benefits of a classic fireplace. The Swiss-made cladding is made in a trendy industrial style, from powder-coated steel.

- High efficiency and emissions lower than average / energy label A+
- Available in several colours



TILIA, Rüegg Cheminée Schweiz AG

TILIA / CELTIS

		TILIA	CELTIS
--	--	-------	--------

Dimensions:

	cm	TILIA	CELTIS
Minimum system size H x W x D*		171x68x67	172x68x73
Ceramic glass dimensions H x W x D		42x50x42	42x50x42
Device dimensions H x W x D		171x68x67	171x68x73
Gross weight	kg	295	500

Technical data:

	kW	TILIA	CELTIS
Nominal power according EN		12.6	12.6
Capacity range		12.6 - 13.8	12.6 - 13.8
Plant heat output for heat storage fireplaces		0	0
Combustion air nozzle	Ø cm	15	15
Exhaust gas nozzle	Ø cm	20	20
Exhaust possible		on top / rear	on top / rear

Tests:

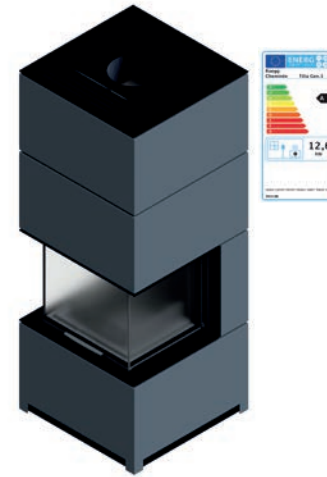
EU	EN 16510	RRF-1022 24 1133	RRF-1022 24 1133
Germany	BlmSchV	Stufe 1 + 2	Stufe 1 + 2
Austria	Verordnung 15-A	yes	yes
France	Flamme Verte	*****	*****
Energy label		A	A

Configuration:

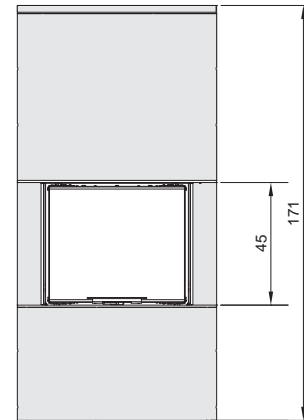
	TILIA	CELTIS
Combustion chamber walls	Thermobrikk®	Thermobrikk®
Combustion chamber bottom	Thermobrikk®	Thermobrikk®
Integrated fan (optional)	no	no
Connection to extra heat exchanger	no	no
Combustion air separate from ambient	yes	yes
Chimney damper control	yes	yes

* Dimensions: Basic equipment incl. supporting frame with Silca 250 KM Insulation on combustible wall, without optional accessories

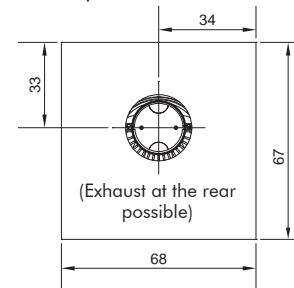
TILIA



Front view



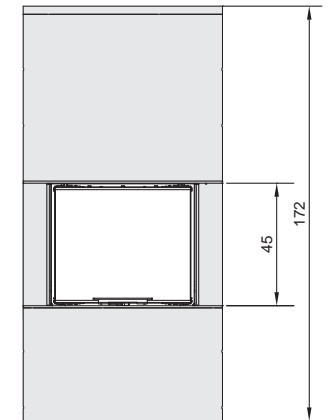
Ground plan



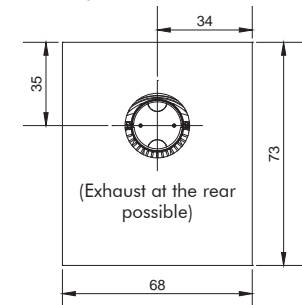
CELTIS



Front view



Ground plan





ROOM
HEATERS



Tiled stove / heat storage stove inserts

Model	Min. system size (H x W x D cm)	Page
Heat storage stove inserts SOE Front	individually	86, 88
Heat storage stove inserts SOE Corner	individually	88
Heat storage stove inserts SOE Tunnel	individually	89
Tiled stove KE 36x74	individually	90

Heat storage stove inserts SOE Tiled stove KE

Clear view of the fire

Our heat storage stove and tiled stove inserts are the perfect solutions for anyone who enjoys tiled stoves and the benefits of storing heat for long periods of time, as well as the pleasure of a fire.

In the same way that the requirements for a heat source are individual, so are the devices from the Rüegg Heat-Line. The following pages will give you an overview of the various options.

All solutions have one thing in common: They ensure an unobstructed view of the flames while you sit back, relax and enjoy the pleasant and healthy radiant heat of the fire.

The products from the Heat-Line are available exclusively from Rüegg Studios and selected specialist partners. They are looking forward to your visit.

- Additional heat storage with ceramic re-heating modules
- Long-lasting, healthy radiant heat
- From the modern plastered heat storage stove to the tiled stove: all devices of the Heat-Line are perfect for constructing your heating system
- Equipped with Thermobrikk®

HEAT STORAGE STOVE INSERTS (SOE)

Efficient, durable and environmentally friendly – heat storage stove inserts from Rüegg

The Rüegg heat storage stove inserts are the ideal solution if you not only want to enjoy the charm and aesthetics of fire but also want to benefit from the advantages of long-term heat storage and heating. Rüegg also offers versatile options with its Heat-Line devices especially for low-energy and passive houses.

Why to choose a heat storage stove?

Heat storage stoves are loaded with a large amount of wood, which is allowed to burn down and only refilled once at the most, depending on demand. The resulting energy is stored for a long time and continuously released into the room as healthy radiant heat. Heating is clearly the primary consideration, which is not only good for the environment but also for your bank balance.

Perfect for use in a low-energy or passive house.

Many low-energy or passive houses are equipped with heat pumps, solar panels or thermal collectors. It is widely known that these systems do not work efficiently on extra cold days. This is where a heat storage stove, which releases heat slowly without overheating a room, is ideal for bridging the gap.

The benefits of Rüegg heat storage stove inserts at a glance:

- Up to 20 hours of perceptible efficient heat storage with only one combustion of 6.5 kg
- Durability and reliability in proven Swiss quality
- Pane stays clean for a long time and is easy to clean
- Very compact design – space-saving
- Various storage options: From metallic re-heating modules to ceramic modular bricks and individually built flue gas ducts
- All moving parts can be replaced while the appliance is in place
- Equipped with Thermobrikk®



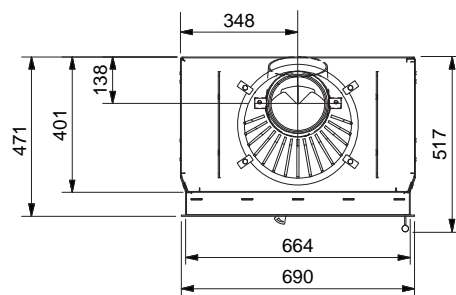
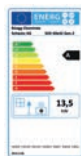
SOE Tunnel, Rüegg Cheminée Schweiz AG



SOE + KE

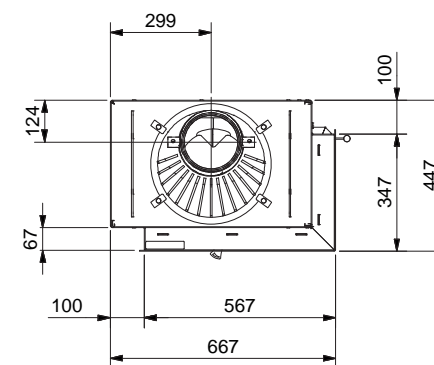
SOE FRONT

Opening dimensions (W x H)	cm	69 x 42
Ceramic glass dimensions (H x W)	cm	35 x 62
Device dimensions (L x W x H)	cm	70 x 47 x 91
Gross weight	kg	194
Maximum amount of wood	kg	6.5
Nominal power according EN	kW	13.5
Efficiency	%	84
Burning capacity per hour	kg/h	4.22
CO (resp. 13 Vol-% O ₂)	mg/Nm ³	625
Dust (resp. 13 Vol-% O ₂)	mg/Nm ³	28
Exhaust gas mass flow	g/sec	12.1
Exhaust gas temperature	°C	597
Minimum discharge pressure	Pa	12
Exhaust gas nozzle / combustion air nozzle Ø	cm	18.0/15.0
EN 16510 test report number	Nr.	MP-25250-2



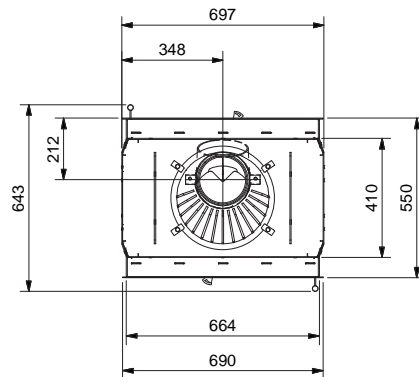
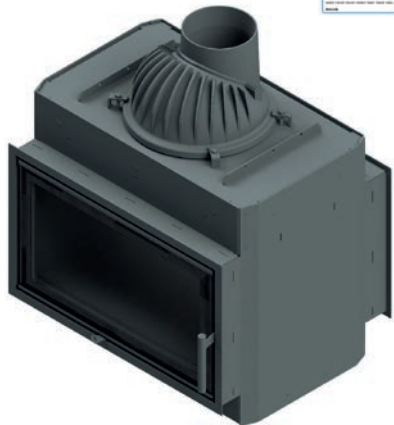
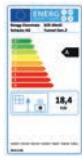
SOE CORNER

Opening dimensions (W x H)	cm	58 x 46 x 36
Ceramic glass dimensions (H x W)	cm	39 x 55 x 33
Device dimensions (L x W x H)	cm	67 x 45 x 94
Gross weight	kg	203
Maximum amount of wood	kg	6.5
Nominal power according EN	kW	19.0
Efficiency	%	89.3
Burning capacity per hour	kg/h	6.5
CO (resp. 13 Vol-% O ₂)	mg/Nm ³	1174
Dust (resp. 13 Vol-% O ₂)	mg/Nm ³	17
Exhaust gas mass flow	g/sec	27.4
Exhaust gas temperature	°C	558
Minimum discharge pressure	Pa	12.0
Exhaust gas nozzle / combustion air nozzle Ø	cm	18.0/15.0
EN 16510 test report number	Nr.	MP-25250-1



SOE TUNNEL

Opening dimensions (W x H)	cm	69 x 42
Ceramic glass dimensions (H x W)	cm	35 x 42
Device dimensions (L x W x H)	cm	70 x 55 x 91
Gross weight	kg	190
Maximum amount of wood	kg	6.5
Nominal power according EN	kW	18.4
Efficiency	%	82
Burning capacity per hour	kg/h	5.88
CO (resp. 13 Vol-% O ₂)	mg/Nm ³	750
Dust (resp. 13 Vol-% O ₂)	mg/Nm ³	25
Exhaust gas mass flow	g/sec	18.4
Exhaust gas temperature	°C	612
Minimum discharge pressure	Pa	12
Exhaust gas nozzle / combustion air nozzle Ø	cm	18.0/15.0
EN 16510 test report number	Nr.	MP-25250-3



SOE Front, Rüegg Studio Illertissen

TILED STOVE INSERT (KE)

Tiled stove insert (KE) by Rüegg DIN EN 13229 tested.

Old tiled stove inserts don't meet today's environmental standards any longer. It is, therefore, important to replace them with more environmentally friendly devices.

Its standard dimensions make the KE perfectly suited as an insert for replacing classic tiled stoves heating elements.

Using the precisely fitting Rüegg tiled stove inserts, your tiled stove can be retained in its basic form and replaced without having to demolish the cladding at great expense.

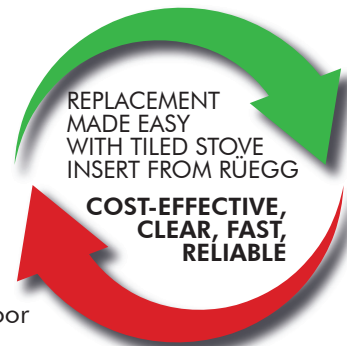
The Rüegg tiled stove insert (KE) is the ideal solution if you not only want to enjoy the charm and aesthetics of fire but also want to benefit from the advantages of long-term heat storage and heating.

Efficient, durable and environmentally friendly

- Long-lasting heat storage: up to 20 hours of perceptible efficient heat storage with only one combustion of 6.5 kg
- Healthy radiant heat
- Durability and reliability in proven Rüegg quality
- All moving parts can be replaced while the appliance is in place
- Room heating capacity: up to 395 m³
- Can be supplemented with CloudFire control system
- Climate-friendly thanks to CO₂ neutrality of the wood fuel
- Available with optional supporting stand with adjustable feet
- Equipped with Thermobrikk®
- High efficiency
- Low emissions
- Conforms to:
 - Germany: BImSchV Level 1 + 2
 - Austria: 15a B-VG
 - Switzerland: LRV 04.2019

NEW:

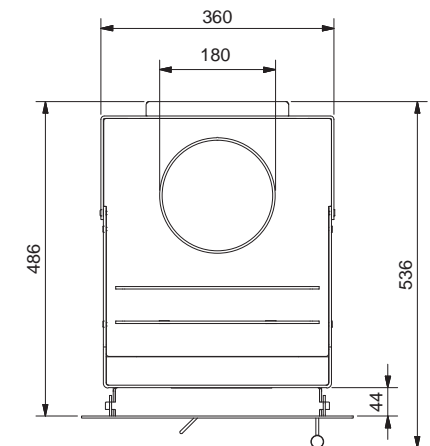
- Flush connection for combustion air.
- Optionally with glass heating door or closed steel door
- **No extra charge** for door hinges right or left!
- Front panel 420 x 790 or front panel 480 x 835
- Front panels also available in special dimensions



KE 36x74

Opening dimensions (W x H)	cm	36 x 74
Ceramic glass dimensions (H x W)	cm	27 x 22
Device dimensions (L x W x H)	cm	42 x 49 x 80
Gross weight	kg	102
Maximum amount of wood	kg	3.2
Nominal power according EN	kW	11
Efficiency	%	86
Burning capacity per hour	kW	11
CO (resp. 13 Vol-% O ₂)	mg/Nm ³	1000
Dust (resp. 13 Vol-% O ₂)	mg/Nm ³	23
Exhaust gas mass flow	g/sec	8.5
Exhaust gas temperature	°C	266
Minimum discharge pressure	Pa	13.0
Exhaust gas nozzle* / combustion air nozzle	Ø cm	18.0 or 14,5 / 12.5
EN 16510 test report number	Nr.	RRF-1022 25 2112

* to be ordered separately (not included)







COOK-
COOK

Kitchen fireplace

Model	Min. system size* (H x W x D cm)	Page
CookCook	220 x 60 x 74	94, 95

Rüegg COOKCOOK

- **Domestic & CO₂-neutral**
Wood is sustainable. It grows in the forest literally next to our home. Wood is CO₂ neutral and does not contribute to global warming.
- **Clean and easy to care for**
The COOKCOOK is energy efficient and burns as cleanly as an oven. It is also very easy to care for
- **Independent**
Whatever happens, COOKCOOK works without external energy. Barbecuing, heating, cooking and fire fun can continue even in times of a blackout.
- **Freedom of location**
Whether in the kitchen, in the conservatory, the living room or on a covered terrace – the COOKCOOK can be located anywhere, provided that a chimney and air supply are available.
- **Space-saving**
Cooking, grilling, heating and firing on just 0.4 m². The COOKCOOK is a small miracle.
- **Made in Switzerland**
IDesigned in Zumikon, tested in Val Müstair, produced in Ennenda and distributed in Hinwil – COOKCOOK is “Made in Switzerland”.

COOKCOOK – made by Rüegg for you. We wish you 4* pleasures

NEW: CookCook complies with BImSchV stage II, 15-A, LRV

With COOKCOOK, we have set out to realise an idea that is revolutionary on the market.

The COOKCOOK follows logical principles and brings wood fires back to the place where they have been for centuries – the kitchen.

Legendary, yet novel, it combines life, pleasure and taste in the heart of the kitchen – or even in a pub. Its polished stainless steel finish makes it a perfect fit in both rustic and contemporary design.

All that is required for the installation is a smoke outlet and a fresh air supply. You only need the socket if you require a rotary grill system. A natural fuel, high energy yield, best emission values. The COOKCOOK is both future-oriented and environmentally friendly at the same time.

Are you intrigued by this idea?

Our partners at the Rüegg Studios will be delighted to introduce the unique atmosphere that COOKCOOK brings to your kitchen.

***Barbecue pleasure · Cooking pleasure · Heating pleasure · Fire pleasure**

**COOK
COOK**
DAS ORIGINAL

- * Barbecue pleasure
- Cooking pleasure
- Heating pleasure
- Fire pleasure



KITCHEN FIREPLACE COOKCOOK

COOKCOOK

Dimensions:

Minimum system size H x W x D*	cm	220x60x74
Ceramic glass dimensions H x W x D	cm	18x25
Device dimensions H x W x D	cm	178x60x60
Gross weight	kg	225

Technical data:

Nominal power according EN	kW	7.0
Capacity range	kW	7.0
Plant heat output for heat storage fireplaces	kW	0
Combustion air nozzle	Ø cm	12.5
Exhaust gas nozzle	Ø cm	20.0
Exhaust possible		on top

Tests:

EU	EN 16510	RRF-1023 25 2113
Germany	BImSchV	Stufe 1 + 2
Austria	Verordnung 15-A	yes
France	Flamme Verte	*****
Energy label		A

Configuration:

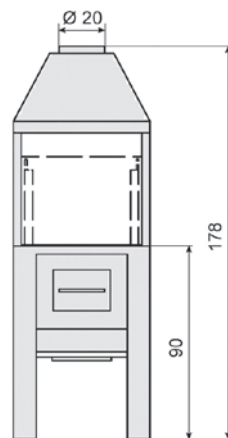
Combustion chamber walls	Refractory concrete
Combustion chamber bottom	Refractory concrete
Integrated fan (optional)	no
Connection to extra heat exchanger	no
Combustion air separate from ambient	no
Optional: chimney damper control	yes

* Dimensions: Basic equipment incl. supporting frame with Silca 250 KM Insulation on combustible wall, without optional accessories

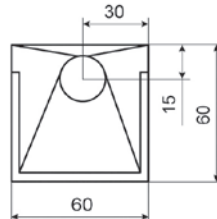
COOKCOOK



Front view



Ground plan



COOK-
COOK



Outdoor fireplace

Model	Min. system size* (H x W x D cm)	Page
SURPRISE	>3 m ²	98-99

Rüegg SURPRISE

RÜEGG SURPRISE – the garden party can begin

The Rüegg SURPRISE outdoor fireplace offers smoke-free and hazard-free campfire romance.

A fireplace for the terrace or the garden – unique, one-of-a-kind, smoke-free and hazard-free – pure quality of life. An all-round view of the blazing fire, without bringing the smell of smoke indoors afterwards or embers flying around.

SURPRISE – the fireplace for delicious barbecue specialities, for raclette or fondue, as a cooking area in the garden, for cosy hours in good company – the unique fire spectacle for the whole year.

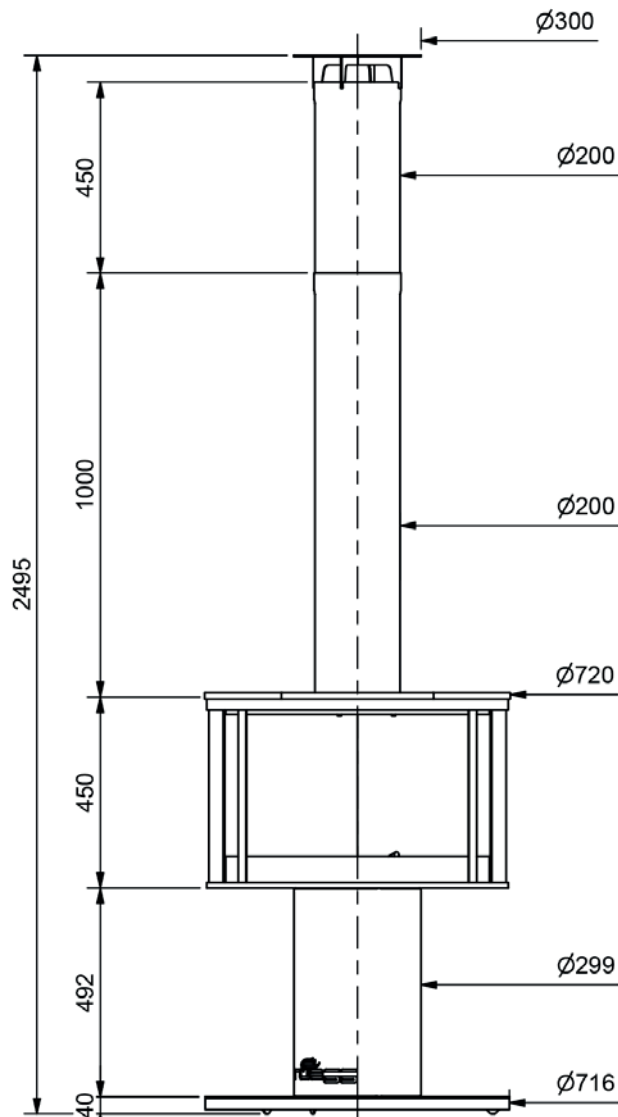
- No embers blowing around
- Combustion chamber lined with refractory clay (optionally black steel)
- Space required for installation: from 3.0 m²
- Durability and reliability
- As a barbecue with swivel arm and grill rack, as a hob with or without hot plates or simply for a cosy atmosphere
- The best recipe for slowing down

Benefits at a glance:

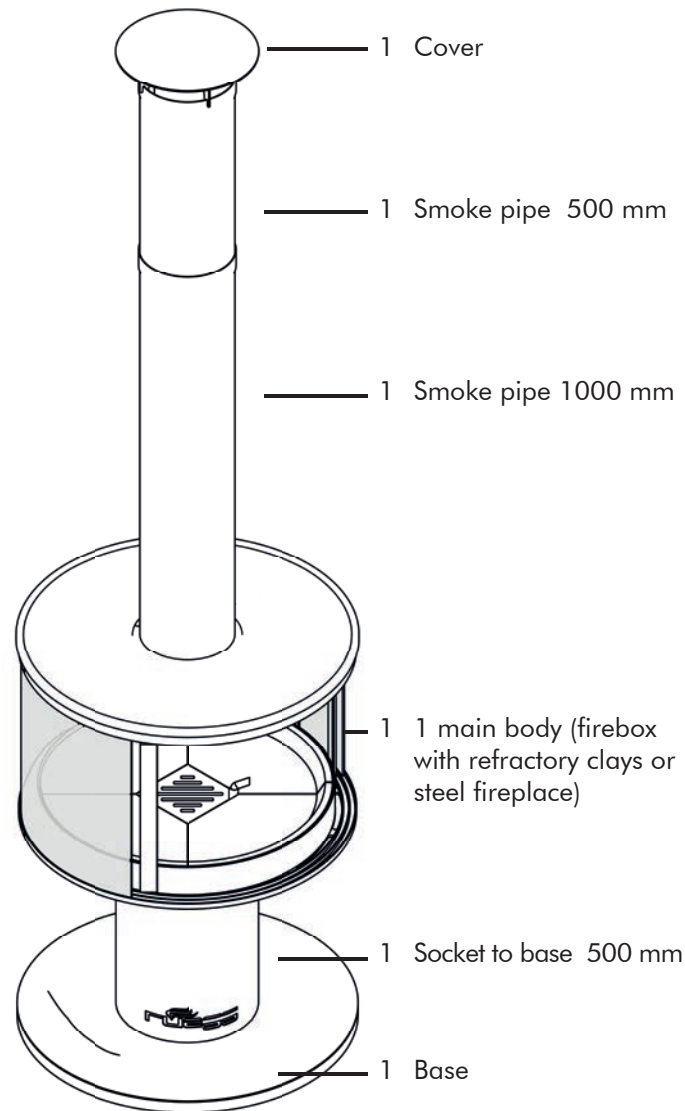
- ✓ Closed fireplace for outdoor use
- ✓ 360° view of the fire
- ✓ No smoke in your face or in your clothes
- ✓ No embers blowing around

OUTDOOR FIREPLACE SURPRISE

Dimensions



Standard design painted black



Weight

- Main body with refractory clays: 130 kg
- Main body with steel fireplace: 122 kg

Options

- Hot plates made of ceramic glass or chrome-steel
- Grill rack, adapter and swivel arm
- Additional smoke pipes 500 mm and 1000 mm





Hot plates made of ceramic glass, fireplace with fireclay

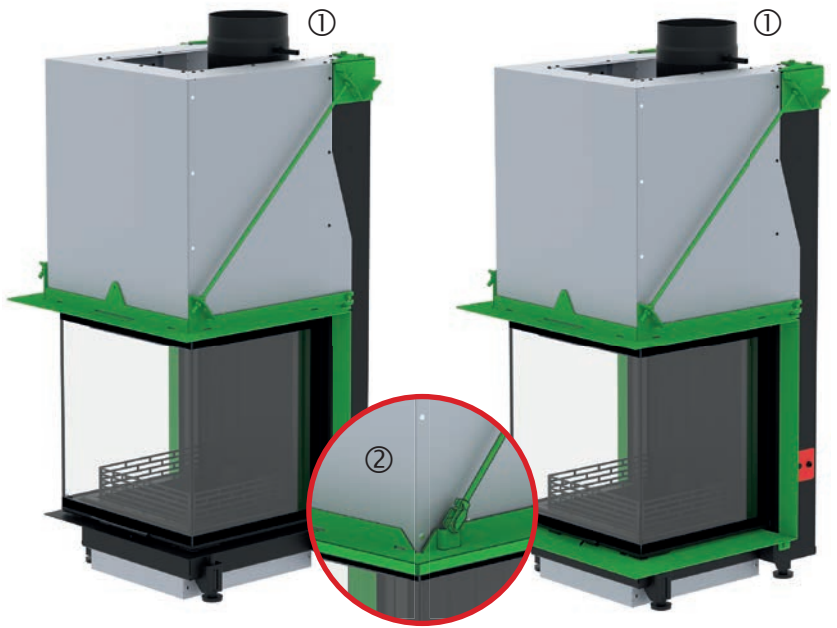


Barbecue food



Octagonal chrome steel grill grate. Hot plates made of chrome steel. Steel fireplace

COVER FRAME / SUPPORTING FRAME



Cover frame ⁽¹⁾

Frame made of 4mm angle steel, black lacquered, 70mm width

Installation: Mounted directly on the device

5-sided (RAS, RIII) / 4-sided (RII), painted

8-sided (RAS, RIII) / 6-sided (RII), painted

Cover frame „Contour Plus“ ⁽²⁾

Frame made of 4mm angle steel, black lacquered, 103mm width

Installation: Mounted directly on the device

5-sided (RIII)/4-sided (RII), painted

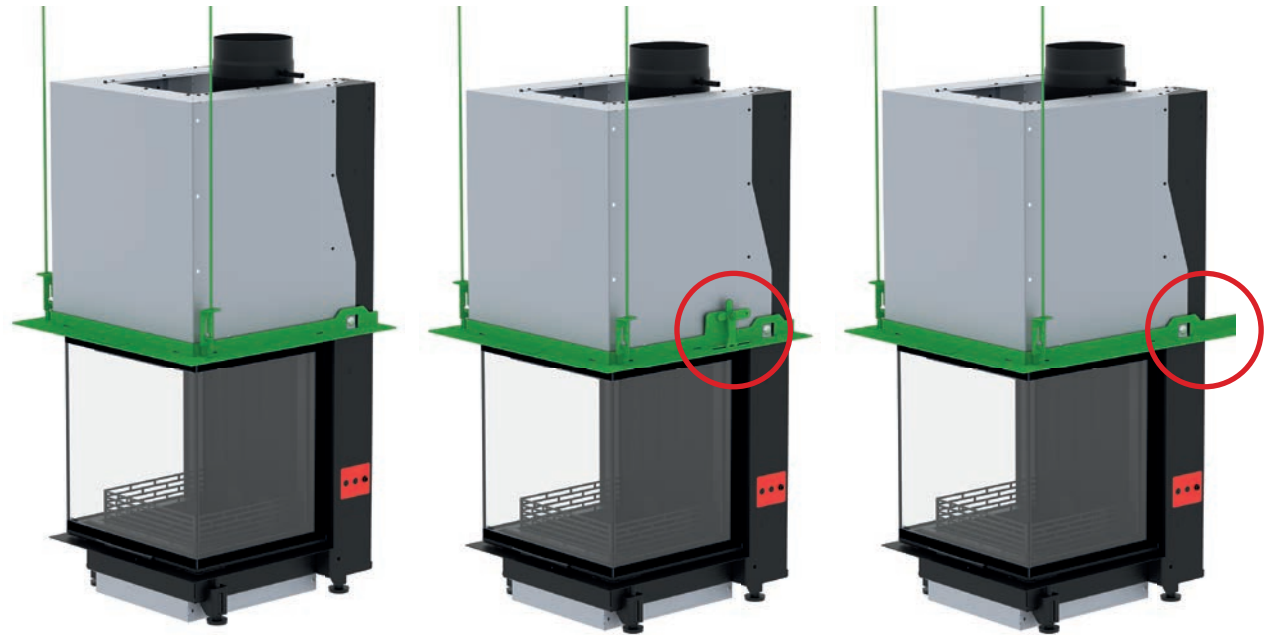
8-sided (RIII)/6-sided (RII), painted

Properties: ⁽¹⁺²⁾

- Cladding is connected to the fireplace
- The weight of the cladding rests partly on the device
- **Optional:** with integrated chimney damper control

Properties: ⁽¹⁺²⁾

- Cladding is connected to the fireplace
- The weight of the cladding rests partly on the device
- All edges flush all round
- **Optional:** with integrated chimney damper control



Supporting frame

Frame made of 4mm angle steel, painted black, 70mm wide

Installation: Devices attached to the top of the ceiling with support poles, supporting frame supported on the back of the panelling

Supporting frame complete with mounting accessories

Properties:

- Cladding decoupled from the fireplace
- Needs a connection to the building
- The frame must/can be cut to size for front-open models

Supporting frame with integrated chimney damper control

Properties:

- Cladding decoupled from the fireplace
- Needs a connection to the building
- **Integrated chimney damper control**

Extended supporting frame

Properties:

- Cladding decoupled from the fireplace
- Needs a connection to the building
- **More contact surface on the panelling as support frame**

Supporting frame sole without mounting accessories (no fig.)

FLUSH-MOUNT FRAME / PLUG-IN PANEL



Flush-mount frame

Frame made of 8mm crude steel unpainted, 107mm width
Cut edge light silver

Flush-mount frame screwed

Installation: Attached to the underside of the device (mounting aid), attached to the top of the ceiling with support poles

Properties:

- Cladding decoupled from the fireplace
- Needs a connection to the building
- **Integrated chimney damper control**
- All edges flush all round
- **Optional:** Flush-mount frame screwed complete with mounting accessories (support poles/dowel)

Flush-mount frame freestanding

Installation: Separate frame around the device for flush-mount frame

Properties:

- Cladding decoupled from the fireplace
- Does **not need** a connection to the building
- **Integrated chimney damper control**
- Device must be placed underneath/ underpinned
- **Optional:** Supporting stand



Flush-mount frame screwed Violino and Violino Tunnel slide-up side

Frame made of 8mm crude steel unpainted, 107mm width
Cut edge light silver

Flush-mount frame screwed

Installation: Directly on the device

Properties:

- Cladding is connected to the fireplace
- **No connection** to the building required



Flush-mount frame screwed Violino Tunnel hinged door

Flush-mount frame screwed

Installation: Directly on the device

Properties:

- Cladding is connected to the fireplace
- **No connection** to the building required



Plug-in panel slide-up side Violino and Violino Tunnel

Installation: Directly on the device

Properties:

- Cladding must be self-supporting
- **Optional:** Magnetic holders

Plug-in panel hinged side Violino Tunnel

Installation: Directly on the device

Properties:

- Cladding must be self-supporting
- **Optional:** Magnetic holders



Glass Door Shapes	1-sided								2-sided, right/left										3-sided							
	Violino 45x60	Violino 45x80	Violino 55x73	Violino 55x98	Violino 65x87	Violino 65x116	Larimar ECO	Axinit ECO	RII 50x68x42	RII 50x68x50	RII 50x80x42	RII 50x80x50	RII 50x100x42	RII 50x100x50	KII 50x68x42	KII 50x68x50	KII 50x80x42	KII 50x80x50	Venus ECO	720 ECO	RIII 45x56x46	RIII 55x56x46	RIII 45x56x60	RIII 55x56x60	RIII 45x56x80	RIII 55x56x80
	┌	┌	┌	┌	┌	┌	┌	┌	┌	┌	┌	┌	┌	┌	┌	┌	┌	┌	┌	┌	┌	┌	┌	┌	┌	┌

Radiation Distance

Front/lateral [cm]	125	150	130	150	170	130	160	170	80/60	80/80	80/60	80/80	80/60	80/75	90/60	80/70	95/60	90/60	80	80	80/70	90	60/70	70/90	60/80	60/90
--------------------	-----	-----	-----	-----	-----	-----	-----	-----	-------	-------	-------	-------	-------	-------	-------	-------	-------	-------	----	----	-------	----	-------	-------	-------	-------

Cross Sections

Ø Exhaust gas nozzle [cm]	20	20	20	20	20	20	20	25	20	20	20	20	20	20	20	20	20	20	20	25	20	20	20	20	20	20
Ø Combustion air nozzle [cm]	15	15	15	15	15	15	15	15	15	15	15	15	15	15	15	15	15	15	12.5	15	15	15	15	15	15	
Convection air entry [cm²]	600	800	730	980	1000	1000	700	700	700	700	700	700	700	700	700	700	700	700	700	350	350	350	350	350	350	
Convection air outlet [cm²]	600	800	730	980	1200	1000	700	700	700	700	700	700	700	700	700	700	700	700	700	350	350	350	350	350	350	

Accessories (optional)

Closed Housing	yes	yes	yes	yes	yes	yes	-	-	yes	yes	yes	yes	yes	yes	-	-	-	-	yes	-	-	-	-	-	-
Supporting frame (4mm steel, painted)	yes	yes	yes	yes	yes	yes	yes	yes	yes	yes	yes	yes	yes	yes	-	-	-	-	yes	yes	yes	yes	yes	yes	yes
Supporting frame with chimney damper control (4mm steel, painted)	-	yes	yes	yes	yes	yes	-	-	yes	yes	yes	yes	yes	yes	-	-	-	-	-	-	yes	yes	yes	yes	yes
Extended supporting frame (4mm steel, painted)	-	-	-	-	-	-	-	-	yes	yes	yes	yes	yes	yes	-	-	-	-	-	yes	yes	yes	yes	yes	yes
Supporting frame, freestanding (8mm crude steel, unpainted)	-	-	-	-	-	-	-	-	-	-	-	-	-	-	-	-	-	-	-	-	-	-	-	-	
Flush-mount frame (8mm crude steel, unpainted)	yes	yes	yes	yes	yes	yes	yes	yes	-	-	-	-	-	-	-	-	-	-	yes	-	-	-	-	-	
Flush-mount frame with chimney damper control (8mm crude steel, unpainted)	-	yes	yes	yes	yes	yes	-	-	yes	yes	yes	yes	yes	yes	yes	yes	yes	yes	-	-	yes	yes	yes	yes	
Flush-mount frame, freestanding (8mm crude steel, unpainted)	-	-	-	-	-	-	-	-	-	-	-	-	-	-	-	-	-	-	-	yes	-	-	-	-	
Flush-mount frame, freestanding, with chimney damper control (8mm crude steel, unpainted)	-	-	-	-	-	-	-	-	yes	yes	yes	yes	yes	yes	-	-	-	-	-	-	yes	yes	yes	yes	
Cover frame 5-sided (4mm steel, painted)	-	-	-	-	-	-	-	-	-	-	-	-	-	-	-	-	-	-	-	-	yes	yes	yes	yes	
Cover frame 8-sided (4mm steel, painted)	-	-	-	-	-	-	-	-	-	-	-	-	-	-	-	-	-	-	-	-	yes	yes	yes	yes	
Cover frame 4-sided (4mm steel, painted)	-	-	-	-	-	-	-	-	yes	yes	yes	yes	yes	yes	-	-	-	-	-	-	-	-	-	-	
Cover frame 6-sided (4mm steel, painted)	-	-	-	-	-	-	-	-	yes	yes	yes	yes	yes	yes	-	-	-	-	-	-	-	-	-	-	
Optional: Cover frame 4/6-sided with chimney damper control (4mm steel, painted)	-	-	-	-	-	-	-	-	yes	yes	yes	yes	yes	yes	-	-	-	-	-	-	-	-	-	-	
Supporting stand	yes	yes	yes	yes	yes	yes	-	-	yes	yes	yes	yes	yes	yes	yes	yes	yes	yes	-	-	yes	yes	yes	yes	
Internal fan set	-	yes	yes	yes	yes	yes	-	-	yes	yes	yes	yes	yes	yes	-	-	-	-	-	-	-	-	-	-	
External fan box	yes	yes	yes	yes	yes	yes	yes	yes	yes	yes	yes	yes	yes	yes	-	-	-	-	yes	yes	yes	yes	yes	yes	
Steel inlay (included)	-	-	-	-	-	-	yes	-	yes	yes	yes	yes	yes	yes	yes	yes	yes	yes	-	-	yes	yes	yes	yes	
Steel inlay (optional)	-	-	-	-	-	-	-	-	-	-	-	-	-	-	-	-	-	-	yes	-	-	-	-	-	
Accumulation system	-	-	-	-	-	-	-	-	-	-	-	-	-	-	-	-	-	-	yes	-	-	-	-	-	

3-sided								4-s.	Round	Tunnel			Room heaters			Heat-Line			
R111 45x68x46	R111 55x68x46	R111 45x80x46	R111 55x80x46	R111 45x100x46	R111 55x100x46	RAS 50x68x42 asym.	RAS 50x80x42 asym.	CUBE0®	Odeon	Violino Tunnel 45x80	Violino Tunnel 55x73	Violino Tunnel 55x98	Cassia	Celtis	Tilia	SOE Front	SOE Eck R/L	SOE Tunnel	KE
┌	┌	┌	┌	┌	┌	┐	┌	┌	⊙				┌	┌	┌	┌	┌		┌

90/80	100/60	90/60	90/70	85/60	90/60	110/80	110/80	92	80	100	100	100	90	80/70	80/70	-	90	-	100
-------	--------	-------	-------	-------	-------	--------	--------	----	----	-----	-----	-----	----	-------	-------	---	----	---	-----

20	20	20	20	20	20	18	18	25	25	20	20	20	15	20	20	18	18	18	18
15	15	15	15	15	15	15	15	15	15	15	15	15	10	15	15	15	15	15	12.5
350	350	350	700	1000	700	350	350	300	300	350	350	700	-	-	-	-	-	-	1500
350	350	350	700	1000	700	350	350	400	400	350	350	700	-	-	-	-	-	-	1300

yes	yes	yes	yes	yes	yes	-	yes	-	-	-	-	-	-	-	-	-	-	-	-
yes	yes	yes	yes	yes	yes	yes	yes	yes	yes	yes	yes	yes	-	-	-	-	-	-	-
yes	yes	yes	yes	yes	yes	yes	yes	-	-	yes	yes	yes	-	-	-	-	-	-	-
yes	yes	yes	yes	yes	yes	yes	yes	-	-	--	--	--	-	-	-	-	-	-	-
-	-	-	-	-	-	-	-	yes	yes	-	-	-	-	-	-	-	-	-	-
-	-	-	-	-	-	-	-	-	-	yes	yes	yes	-	-	-	-	-	-	-
yes	yes	yes	yes	yes	yes	yes	yes	-	-	yes	yes	yes	-	-	-	-	-	-	-
-	-	-	-	-	-	-	-	-	-	-	-	-	-	-	-	-	-	-	-
yes	yes	yes	yes	yes	yes	yes	yes	-	-	-	-	-	-	-	-	-	-	-	-
yes	yes	yes	yes	yes	yes	yes	yes	-	-	-	-	-	-	-	-	-	-	-	-
-	-	-	-	-	-	-	-	-	-	-	-	-	-	-	-	-	-	-	-
-	-	-	-	-	-	-	-	-	-	-	-	-	-	-	-	-	-	-	-
yes	yes	yes	yes	yes	yes	yes	yes	-	-	yes	yes	yes	-	-	-	yes	yes	yes	yes
-	-	yes	yes	yes	yes	-	yes	-	-	-	-	-	-	-	-	-	-	-	-
yes	yes	yes	yes	yes	yes	yes	yes	-	-	yes	yes	yes	-	-	-	-	-	-	-
yes	yes	yes	yes	yes	yes	yes	yes	-	-	yes	yes	yes	-	yes	yes	-	-	-	-
-	-	-	-	-	-	-	-	-	-	-	-	-	-	-	-	-	-	-	-
-	-	-	-	-	-	-	-	-	-	-	-	-	-	yes	yes	-	-	-	-





Legal notice:

Photographs: Stefan Wendt · Carolina Piasecki

Text and Layout:

Rüegg Cheminée Schweiz AG Marketing Department

© by Rüegg Cheminée Schweiz AG, 07.2025

Rüegg fireplaces and stoves as well as their accessories are exclusively offered and sold by qualified specialist dealers. We reserve the right to apply technical and product range changes and correct errors.

The information contained in this catalogue is as complete, accurate and up-to-date as possible. As far as legally permissible, we exclude any liability for possible

errors. Please also observe the legal/fire regulations applicable in your country for the installation and operation of a fireplace.

We reserve the right to change the content (e.g.: technical data, products, etc.) and to make technical changes to the products without prior notice. The text and illustrations in this catalogue may only be reprinted,

reproduced or otherwise used for public or commercial purposes with written permission and with acknowledgement of Rüegg Cheminée Schweiz AG.

We would like to thank our partner companies for the photographs they have provided to us.



Designed & Engineered in Switzerland



Rüegg Cheminée Schweiz AG
Studbachstrasse 7
8340 Hinwil · Switzerland
Tel. +41 44 938 58 58
info@ruegg.swiss · www.ruegg.swiss

Germany	+49 6022 706 9062
Austria	+43 720 272 200
France	+33 368 78 14 71
Italy	+39 039 66 121 55